



Standard Test Method for Toughness and Tenacity of Bituminous Materials¹

This standard is issued under the fixed designation D 5801; the number immediately following the designation indicates the year of original adoption or, in the case of revision, the year of last revision. A number in parentheses indicates the year of last reapproval. A superscript epsilon (ϵ) indicates an editorial change since the last revision or reapproval.

1. Scope

1.1 This test method describes the procedure for measuring the toughness and tenacity of bituminous materials. Typically, the test method has been used to characterize elastomer modified asphalts, although values for toughness and tenacity may be obtained for any type of polymer-modified or non-modified asphalt.

1.2 *This standard does not purport to address all of the safety concerns, if any, associated with its use. It is the responsibility of the user of this standard to establish appropriate safety and health practices and determine the applicability of regulatory limitations prior to use.*

1.3 The values given in SI units are to be regarded as the standard. The values given in inch-pound units in parentheses are for informational purposes only.

2. Referenced Documents

2.1 ASTM Standards:

D 5 Test Method for Penetration of Bituminous Materials²

E 1 Specification for ASTM Thermometers³

3. Summary of Test Method

3.1 A tension head of specified size and shape is pulled from an asphalt sample at a rate of 50 cm/min (20 in./min). A continuous record of the force versus elongation curve is made and used to calculate the toughness and the tenacity of the sample. The test is run at room temperature ($25 \pm 3^\circ\text{C}$ [$77 \pm 5^\circ\text{F}$]), after the sample has been subjected to a specified temperature history.

3.2 Toughness is defined in this procedure as the total work required to completely separate the tension head from the sample under the specified test conditions. Tenacity is a measure of the increasing force as the sample is stretched past the initial peak, and may indicate the type and amount of polymer used to modify the asphalt. It is defined as the work required to stretch the material after the initial resistance is overcome.

4. Significance and Use

4.1 This test method is useful in confirming that an asphalt cement has been modified with a material that provides a significant elastomeric component. Elastomer modified asphalts can be characterized by their ability to be stretched to a large elongation while at the same time resisting further stretching. Toughness and tenacity are two parameters for measuring this ability.

5. Apparatus

5.1 *Sample Container*—A metal, cylindrical, flat bottom container with a nominal inside diameter of 55 mm ($2\frac{1}{8}$ in.) and a depth of 35 mm ($1\frac{3}{8}$ in.) shall be used to hold the sample. Containers known as tin boxes or seamless ointment boxes with a 3-oz capacity meet these requirements.

5.2 *Tension Head*—The tension head shall consist of a polished metal, hemispherical head with an 11 mm ($\frac{7}{16}$ in.) radius, which is integrally connected to a 6.4 mm ($\frac{1}{4}$ in.) diameter stem approximately 33 mm ($1\frac{5}{16}$ in.) long. The stem shall be threaded and fitted with a knurled lowering screw to allow for accurate adjustment of the tension head height in the sample container. The stem of the tension head shall be fitted with a small pin to prevent twisting of the head while adjusting the height. Dimensions of the tension head are shown in Fig. 1.

NOTE 1—Brass and stainless steel are acceptable metals for constructing tension heads. Aluminum scratches easily and steel rusts, so these metals should not be used.

5.3 *Spider*—The support for the tension head shall consist of a cylindrical center section through which the stem of the tension head may freely move parallel to the axis of the cylinder. The inner wall of the cylinder shall be grooved to receive the pin mounted on the stem of the tension head. The spider cylinder shall be fitted with three arms, equally spaced at 120 degrees, extending from the center and notched to receive the lip of the sample container, thereby centering the spider and tension head in the sample container. Details of the spider construction are shown in Fig. 2.

5.4 *Testing Machine*—Any tensile tester capable of pulling the tension head at a uniform rate of 50 cm/min (20 in./min), and recording the force versus elongation curve, may be used. The accuracy of the pull rate shall be $\pm 2\%$ or better. The maximum load capacity shall be at least 45 kg (100 lb). If polymer modified asphalts are to be tested after aging in the

¹ This test method is under the jurisdiction of ASTM Committee D04 on Road and Paving Materials and is the direct responsibility of Subcommittee D04.44 on Rheological Tests.

Current edition approved Oct. 10, 1995. Published December 1995. Originally published as Proposal P 243 in April 1994.

² *Annual Book of ASTM Standards*, Vol 04.03.

³ *Annual Book of ASTM Standards*, Vol 14.03.

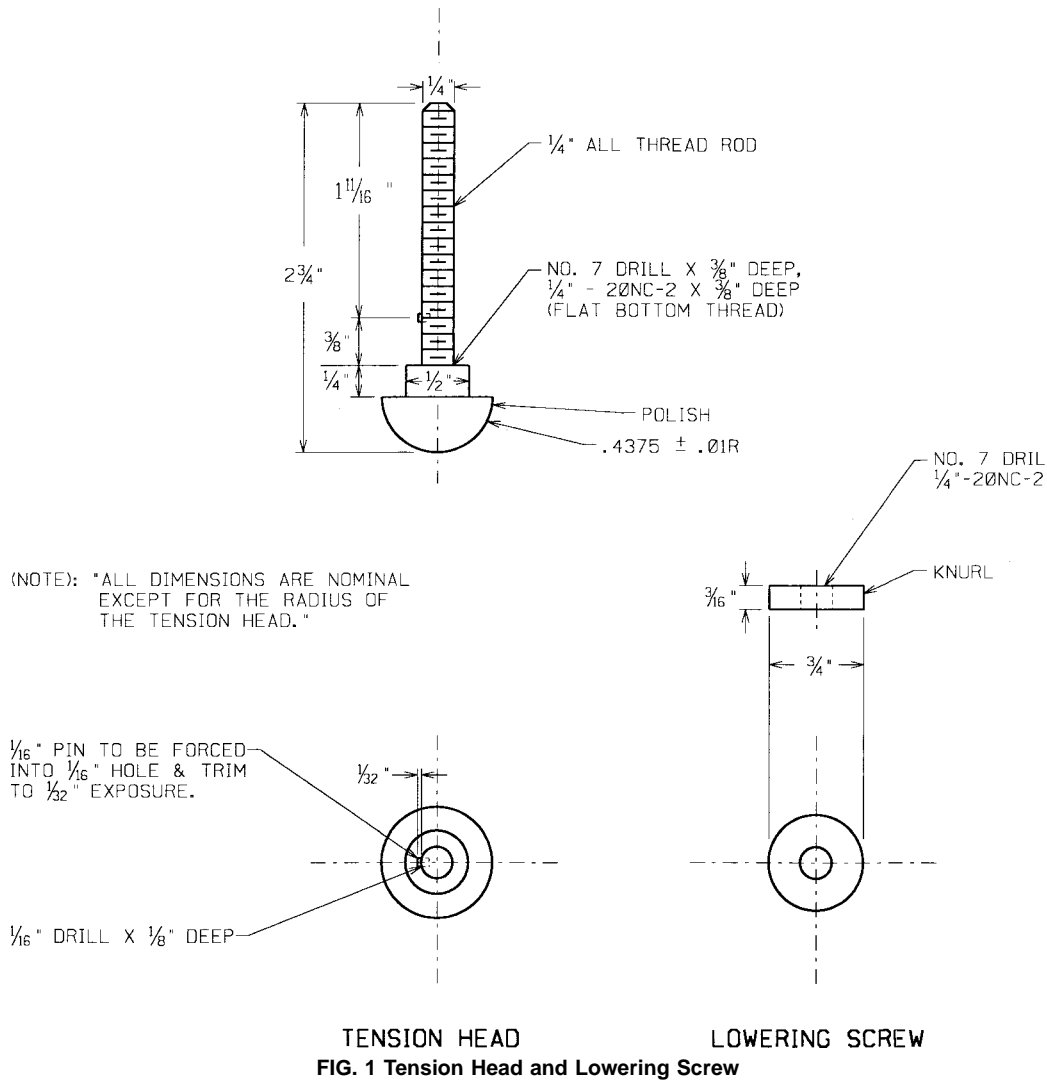


FIG. 1 Tension Head and Lowering Screw

thin film oven or the rolling thin film oven, higher load capacities are needed. A maximum load capacity of 90 kg (200 lb) is suggested.

5.4.1 The tensile tester must be equipped to hold the sample container firmly in place while the tension head is pulled away. The details of this sample holder will vary with the type of tester used. The tester must have a minimum effective pull length of 61 cm (24 in.) after installing the sample holder.

5.5 *Water Bath*—A bath capable of maintaining a temperature of $25 \pm 0.1^\circ\text{C}$ ($77 \pm 0.18^\circ\text{F}$) is required. The bath shall have a perforated shelf supported in a position not less than 50 mm (2 in.) from the bottom and not less than 100 mm (4 in.) below the liquid level.

5.6 *Oven*—A gravity convection oven capable of maintaining a temperature of $163 \pm 5.5^\circ\text{C}$ ($325 \pm 10^\circ\text{F}$) shall be used to heat the samples.

5.7 *Thermometer*—A calibrated thermometer having a range as shown as follows and conforming to the requirements prescribed in Specification E 1.

Temperature Range	ASTM Thermometer Number
-8 to 32°C	63C
18 to 89°F	63F

NOTE 2—In those cases where the samples are conditioned in the

standard penetration bath, the thermometer as prescribed for Test Method D 5 may be substituted in place of the above.

6. Sample Preparation

6.1 Bring the sample to a temperature where it is sufficiently fluid to pour, as described in the following paragraphs.

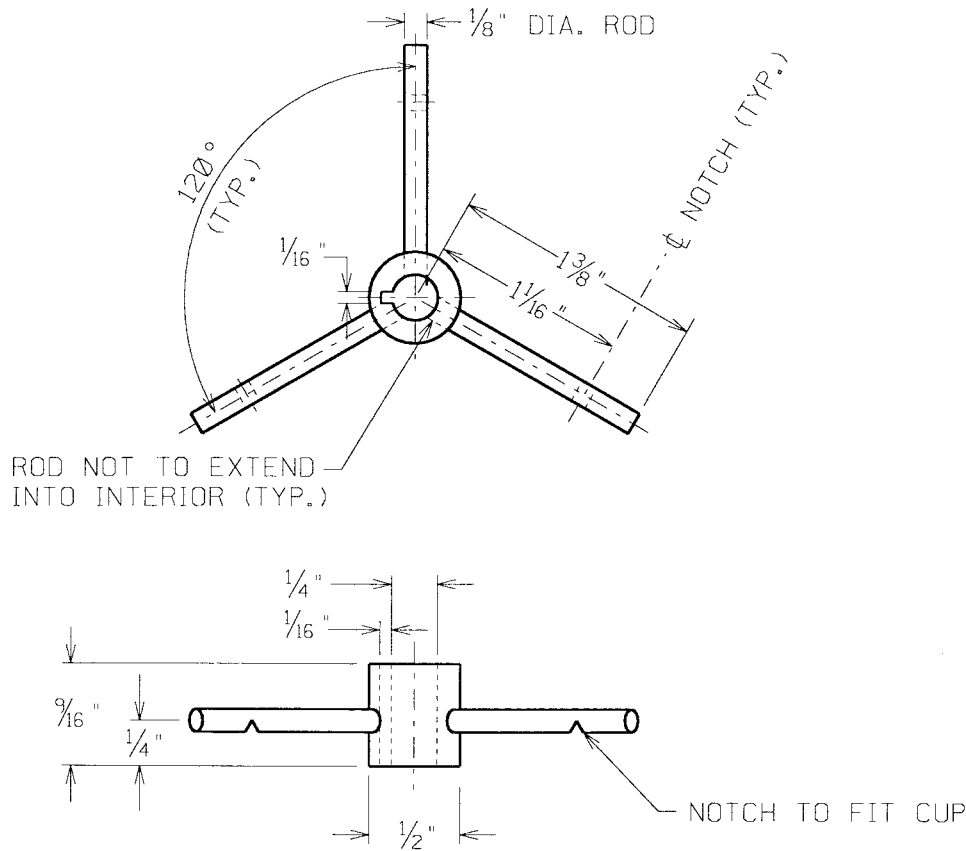
6.1.1 If the sample is at room temperature, place the sample in a loosely covered container in an oven at 163°C (325°F) until the sample is at a uniform temperature and sufficiently fluid to pour. Take care to prevent local overheating of the sample.

6.1.2 If the sample is a residual product from an emulsion distillation test and is already hot, carefully stir the contents in the still and immediately pour into containers, as described in the following paragraphs.

6.2 Carefully stir the sample, without incorporating any air bubbles, until the sample is homogenous.

6.3 Pour 36 ± 0.5 g of sample into each of three sample containers.

6.4 Immediately place a tension head, mounted in a centering spider, into each sample container. Lower the tension head, by means of the knurled leveling screw, until the head is immersed to the point where the asphalt level is approximately



SPIDER ASSEMBLY

FIG. 2 Spider Assembly

1 mm below the diameter of the tension head.

NOTE 3—It is important to completely clean the tension heads before they are reused. This promotes proper adhesion of the sample to the head. A final rinse with an appropriate solvent is recommended.

6.5 Place the sample containers, with the tension heads and spiders in place, in the 163°C (325°F) oven for a period of 15 min.

6.6 Remove the sample containers and lower the tension heads until the asphalt is level with the diameter of the tension heads. Allow the samples to cool at room temperature for 75 ± 5 min.

6.7 Place the sample containers in a water bath at 25°C (77°F) for 75 ± 5 min. During this time, prepare the test machine for testing.

7. Procedure

7.1 Prepare the testing machine to operate at a pull rate of 50 cm/min (20 in./min). Zero the chart pen and make any other preparations necessary.

7.2 Remove the sample container from the water bath and immediately place in the testing machine. It may be necessary to remove the centering spider before placing the sample in the machine. The temperature of the room in which testing takes place must be 25 ± 3°C (77 ± 5°F).

7.3 Pull the tension head from the sample at a rate of 50 cm/min (20 in./min) and record the force versus elongation

curve. Continue pulling until the asphalt column breaks, the force returns to zero, or the extension limit of the machine is reached.

NOTE 4—The time between removing the samples from the water bath and starting to pull the tension heads should not exceed 3 min. It may be helpful to leave the top of the sample container filled with water when removing from the bath. This will help maintain the proper temperature by preventing surface cooling.

8. Calculation

8.1 *Toughness*—The toughness of the sample is defined as the work required to separate the tension head from the sample under the specified test conditions. It is calculated as the total area (in Newton-meters or inch-pounds) under the force versus elongation curve.

8.2 *Tenacity*—The tenacity of the sample is defined as the work required to stretch the sample after the initial resistance has been overcome. It is calculated by extending a tangent line from the force versus elongation curve as the force decreases from the maximum value until the tangent line intersects the zero force axis. The area under the curve to the right of the tangent line is the tenacity of the sample.

8.3 One typical force versus elongation curve for an elastomer modified asphalt is shown in Fig. 3. Other shapes of curves are also common. This figure was included to provide an example of how to draw the tangent line for calculating tenacity.

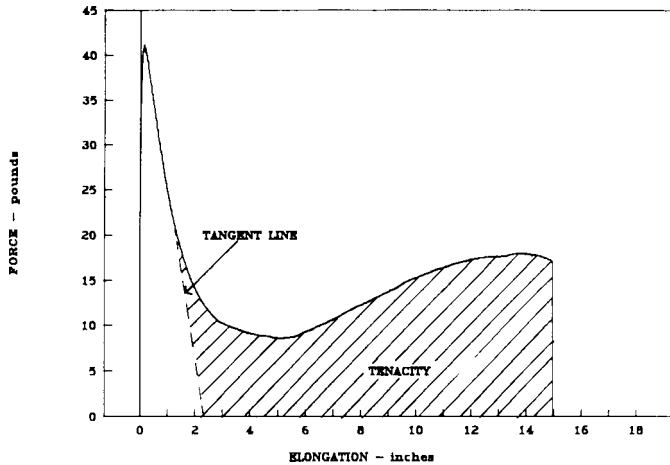


FIG. 3 Typical Toughness and Tenacity Curve For an Elastomer Modified Asphalt

8.4 A variety of methods is available for calculating the area under a curve. Many tensile testers will perform this calculation automatically. Others may be connected to a data acquisition system which includes a computer capable of calculating the area under the curve. Manual methods include the use of a planimeter, counting squares on gridded chart paper, and cutting out and weighing the appropriate areas of the chart paper.

9. Report

9.1 Each sample shall be tested in triplicate. Report the average of the three values (in Newton-meters or inch-pounds) for toughness and tenacity. If one of the three tests breaks prematurely as compared to the other two, the unusual result

shall be considered an invalid test, and the average of the two valid tests shall be reported.

10. Precision and Bias

10.1 *Precision*—The following statements are based upon a round robin study⁴ measuring the toughness and tenacity of polymer modified asphalts. The limits given do not apply to unmodified asphalts.

10.1.1 The single operator coefficient of variation has been found to be 6.8 % for toughness measurements, and 7.3 % for tenacity measurements. Therefore, results of two properly conducted tests by the same operator on the same sample using the same equipment should not differ from each other by more than 20 % of their average.

10.1.2 The multilaboratory coefficient of variation has been found to be 11.3 % for toughness measurements and 11.5 % for tenacity measurements. Therefore, results of two properly conducted tests from two different laboratories on samples of the same material should not differ from each other by more than 32 % of their average.

10.2 *Bias*—The procedure in this test method for measuring toughness and tenacity has no bias because the values of toughness and tenacity are defined only in terms of this test method.

11. Keywords

11.1 asphalt cement; polymer modified asphalt; tenacity; tensile testing; toughness

⁴ The results of the round robin are available from ASTM headquarters as a research report. Request: D04-1010.

The American Society for Testing and Materials takes no position respecting the validity of any patent rights asserted in connection with any item mentioned in this standard. Users of this standard are expressly advised that determination of the validity of any such patent rights, and the risk of infringement of such rights, are entirely their own responsibility.

This standard is subject to revision at any time by the responsible technical committee and must be reviewed every five years and if not revised, either reapproved or withdrawn. Your comments are invited either for revision of this standard or for additional standards and should be addressed to ASTM Headquarters. Your comments will receive careful consideration at a meeting of the responsible technical committee, which you may attend. If you feel that your comments have not received a fair hearing you should make your views known to the ASTM Committee on Standards, at the address shown below.

This standard is copyrighted by ASTM, 100 Barr Harbor Drive, PO Box C700, West Conshohocken, PA 19428-2959, United States. Individual reprints (single or multiple copies) of this standard may be obtained by contacting ASTM at the above address or at 610-832-9585 (phone), 610-832-9555 (fax), or service@astm.org (e-mail); or through the ASTM website (www.astm.org).