



Standard Test Method for Bearing Response of Polymer Matrix Composite Laminates¹

This standard is issued under the fixed designation D 5961/D 5961M; the number immediately following the designation indicates the year of original adoption or, in the case of revision, the year of last revision. A number in parentheses indicates the year of last reapproval. A superscript epsilon (ϵ) indicates an editorial change since the last revision or reapproval.

^{ε1} NOTE—Equation 5 was editorially corrected in February 2003.

1. Scope

1.1 This test method determines the bearing response of multi-directional polymer matrix composite laminates reinforced by high-modulus fibers by either double-shear (Procedure A) or single-shear (Procedure B) tensile loading of a specimen. Standard specimen configurations using fixed values of test parameters are described for each procedure. However, when fully documented in the test report, a number of test parameters may be optionally varied. The composite material forms are limited to continuous-fiber or discontinuous-fiber (tape or fabric, or both) reinforced composites for which the laminate is balanced and symmetric with respect to the test direction. The range of acceptable test laminates and thicknesses are described in 8.2.1.

1.2 This test method is consistent with the recommendations of MIL-HDBK-17, which describes the desirable attributes of a bearing response test method.

1.3 The multi-fastener test configurations described in this test method are similar to those used by industry to investigate the bypass portion of the bearing bypass interaction response for bolted joints, where the specimen may produce either a bearing failure mode or a bypass failure mode. While this test method may be referenced as guidance in bearing bypass test programs, the scope of this test method is limited to bearing failure modes.

1.4 The values stated in either SI units or inch-pound units are to be regarded separately as standard. Within the text the inch-pound units are shown in brackets. The values stated in each system are not exact equivalents; therefore, each system must be used independently of the other. Combining values from the two systems may result in nonconformance with the standard.

1.5 *This standard does not purport to address all of the safety concerns, if any, associated with its use. It is the responsibility of the user of this standard to establish appropriate safety and health practices and determine the applicability of regulatory limitations prior to use.*

2. Referenced Documents

2.1 ASTM Standards:

- D 792 Test Methods for Density and Specific Gravity (Relative Density) of Plastics by Displacement²
- D 883 Terminology Relating to Plastics²
- D 953 Test Method for Bearing Strength of Plastics²
- D 2584 Test Method for Ignition Loss of Cured Reinforced Resins³
- D 2734 Test Method for Void Content of Reinforced Plastics³
- D 3171 Test Method for Constituent Content of Composite Materials⁴
- D 3878 Terminology for Composite Materials⁴
- D 5229/D 5229M Test Method for Moisture Absorption Properties and Equilibrium Conditioning of Polymer Matrix Composite Materials⁴
- D 5687/D 5687M Guide for Preparation of Flat Composite Panels with Processing Guidelines for Specimen Preparation⁴
- E 4 Practices for Force Verification of Testing Machines⁵
- E 6 Terminology Relating to Methods of Mechanical Testing⁵
- E 83 Practice for Verification and Classification of Extensometers⁵
- E 122 Practice for Calculating Sample Size to Estimate, With a Specified Tolerable Error, the Average for a Characteristic of a Lot or Process⁶
- E 177 Practice for Use of the Terms Precision and Bias in ASTM Test Methods⁶
- E 238 Test Method for Pin-Type Bearing Test of Metallic Materials⁵
- E 456 Terminology Relating to Quality and Statistics⁶
- E 1309 Guide for Identification of Fiber-Reinforced Polymer-Matrix Composite Materials in Databases⁴
- E 1434 Guide for Recording Mechanical Test Data of Fiber-Reinforced Composite Materials in Databases⁴

¹ This test method is under the jurisdiction of ASTM Committee D30 on Composite Materials and is the direct responsibility of Subcommittee D30.05 on Structural Test Methods.

Current edition approved Sept. 10, 2001. Published November 2001. Originally published as D 5961/D 5961M – 96. Last previous edition D 5961/D 5961M – 96.

² *Annual Book of ASTM Standards*, Vol 08.01.

³ *Annual Book of ASTM Standards*, Vol 08.02.

⁴ *Annual Book of ASTM Standards*, Vol 15.03.

⁵ *Annual Book of ASTM Standards*, Vol 03.01.

⁶ *Annual Book of ASTM Standards*, Vol 14.02.

E 1471 Guide for Identification of Fibers, Fillers, and Core Materials in Computerized Material Property Databases⁴

2.2 *Other Document:*

MIL-HDBK-17, *Polymer Matrix Composites*, Vol 1, Section 7⁷

3. Terminology

3.1 *Definitions*—Terminology D 3878 defines terms relating to high-modulus fibers and their composites. Terminology D 883 defines terms relating to plastics. Terminology E 6 defines terms relating to mechanical testing. Terminology E 456 and Practice E 177 define terms relating to statistics. In the event of a conflict between terms, Terminology D 3878 shall have precedence over the other documents.

3.2 *Definitions of Terms Specific to This Standard:*

NOTE 1—If the term represents a physical quantity, its analytical dimensions are stated immediately following the term (or letter symbol) in fundamental dimension form, using the following ASTM standard symbology for fundamental dimensions, shown within square brackets: [M] for mass, [L] for length, [T] for time, [I] for thermodynamic temperature, and [nd] for nondimensional quantities. Use of these symbols is restricted to analytical dimensions when used with square brackets, as the symbols may have other definitions when used without the brackets.

3.3 *bearing area*, $[L^2]$, n —the area of that portion of a bearing specimen used to normalize applied loading into an effective bearing stress; equal to the diameter of the loaded hole multiplied by the thickness of the specimen.

3.4 *bearing chord stiffness*, E^{br} [ML-1T-2], n —the chord stiffness between two specific bearing stress or bearing strain points in the linear portion of the bearing stress/bearing strain curve.

3.5 *bearing load*, P [MLT²], n —the total load carried by a bearing specimen.

3.6 *bearing strain*, ϵ^{br} [nd], n —the normalized hole deformation in a bearing specimen, equal to the deformation of the bearing hole in the direction of the bearing load, divided by the diameter of the hole.

3.7 *bearing strength*, F_x^{br} [ML-1T-2], n —the value of bearing stress occurring at a significant event on the bearing stress/bearing strain curve.

3.7.1 *Discussion*—Two types of bearing strengths are commonly identified, and noted by an additional superscript: offset strength and ultimate strength.

3.8 *bearing stress*, F^{br} [ML-1T-2], n —the bearing load divided by the bearing area.

3.9 *diameter to thickness ratio*, D/h [nd], n —in a bearing specimen, the ratio of the hole diameter to the specimen thickness.

3.9.1 *Discussion*—The diameter to thickness ratio may be either a nominal value determined from nominal dimensions or an actual value determined from measured dimensions.

3.10 *edge distance ratio*, e/D [nd], n —in a bearing specimen, the ratio of the distance between the center of the hole and the specimen end to the hole diameter.

3.10.1 *Discussion*—The edge distance ratio may be either a nominal value determined from nominal dimensions or an actual value determined from measured dimensions.

3.11 *nominal value*, n —a value, existing in name only, assigned to a measurable quantity for the purpose of convenient designation. Tolerances may be applied to a nominal value to define an acceptable range for the quantity.

3.12 *offset bearing strength*, F_x^{bro} [ML-1T-2], n —the value of bearing stress, in the direction specified by the subscript, at the point where a bearing chord stiffness line, offset along the bearing strain axis by a specified bearing strain value, intersects the bearing stress/bearing strain curve.

3.12.1 *Discussion*—Unless otherwise specified, an offset bearing strain of 2 % is to be used in this test method.

3.13 *width to diameter ratio*, w/D [nd], n —in a bearing specimen, the ratio of specimen width to hole diameter.

3.13.1 *Discussion*—The width to diameter ratio may be either a nominal value determined from nominal dimensions or an actual value, determined as the ratio of the actual specimen width to the actual hole diameter.

3.14 *ultimate bearing strength*, F_x^{bru} [ML-1T-2], n —the value of bearing stress, in the direction specified by the subscript, at the maximum load capability of a bearing specimen.

3.15 *Symbols:*

A = minimum cross-sectional area of a specimen

CV = coefficient of variation statistic of a sample population for a given property (in percent)

d = fastener or pin diameter

D = specimen hole diameter

e = distance, parallel to load, from hole center to end of specimen; the edge distance

E_x^{br} = bearing chord stiffness in the test direction specified by the subscript

f = distance, parallel to load, from hole edge to end of specimen

F_x^{bru} = ultimate bearing strength in the test direction specified by the subscript

F_x^{bro} (e %) = offset bearing strength (at e % bearing strain offset) in the test direction specified by the subscript

g = distance, perpendicular to load, from hole edge to shortest edge of specimen

h = specimen thickness

k = calculation factor used in bearing equations to distinguish single-fastener tests from double-fastener tests

K = calculation factor used in bearing equations to distinguish single-shear tests from double-shear tests in a single bearing strain equation

L_g = extensometer gage length

n = number of specimens per sample population

P = load carried by test specimen

P^f = load carried by test specimen at failure

P^{max} = maximum load carried by test specimen prior to failure

s_{n-1} = standard deviation statistic of a sample population for a given property

w = specimen width

⁷ Available from Standardization Documents Order Desk, Bldg. 4 Section D, 700 Robbins Ave., Philadelphia, PA 19111-5098, Attn: NPODS.

x_i = test result for an individual specimen from the sample population for a given property

\bar{x} = mean or average (estimate of mean) of a sample population for a given property

δ = extensional displacement

ϵ = general symbol for strain, whether normal strain or shear strain

ϵ^{br} = bearing strain

σ^{br} = bearing stress

w = specimen width

d_{csk} = countersink depth

d_{fl} = countersink flushness (depth or protrusion of the fastener in a countersunk hole)

4. Summary of Test Method

4.1 Procedure A, Double Shear:

4.1.1 A flat, constant rectangular cross-section test specimen with a centerline hole located near the end of the specimen, as shown in the test specimen drawings of Figs. 1 and 2, is loaded at the hole in bearing. The bearing load is normally applied

through a close-tolerance, lightly torqued fastener (or pin) that is reacted in double shear by a fixture similar to that shown in Figs. 3 and 4. The bearing load is created by pulling the assembly in tension in a testing machine.

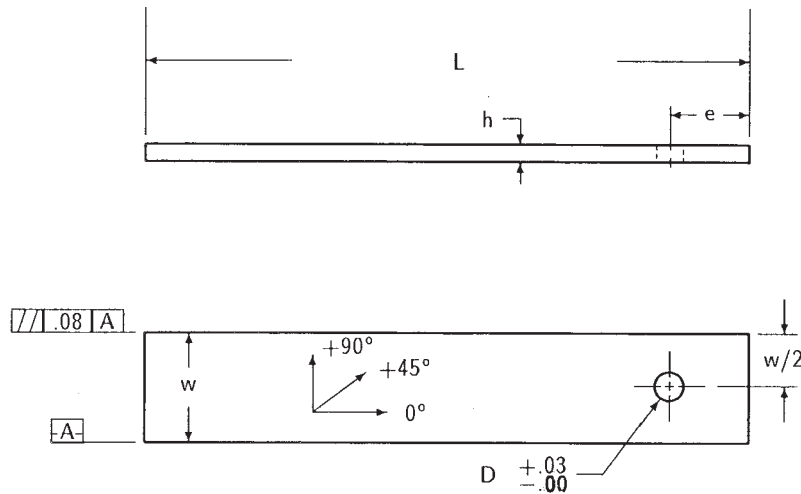
4.1.2 Both the applied load and the associated deformation of the hole are monitored. The hole deformation is normalized by the hole diameter to create an effective bearing strain. Likewise, the applied load is normalized by the projected hole area to create an effective bearing stress. The specimen is loaded until a load maximum has clearly been reached, whereupon the test is terminated so as to prevent masking of the true failure mode by large-scale hole distortion, in order to provide a more representative failure mode assessment. Bearing stress versus bearing strain for the entire loading regime is plotted, and failure mode noted. The ultimate bearing strength of the material is determined from the maximum load carried prior to test termination.

4.1.3 The standard test configuration for this procedure does not allow any variation of the major test parameters. However, the following variations in configuration are allowed, but can

DRAWING NOTES:

1. INTERPRET DRAWING IN ACCORDANCE WITH ANSI Y14.5M-1982, SUBJECT TO THE FOLLOWING:
2. ALL DIMENSIONS IN MILLIMETRES WITH DECIMAL TOLERANCES AS FOLLOWS:

NO DECIMAL	.X	.XX
± 3	± 1	$\pm .3$
3. ALL ANGLES HAVE TOLERANCE OF $\pm .5^\circ$.
4. PLY ORIENTATION DIRECTION TOLERANCE RELATIVE TO [-A-] IS RECOMMENDED TO BE WITHIN $\pm .5^\circ$. (See Section 6.1.)
5. FINISH ON MACHINED EDGES NOT TO EXCEED $1.6\sqrt{\text{ }}$ (SYMBOLY IN ACCORDANCE WITH ASA B46.1, WITH ROUGHNESS HEIGHT IN MICROMETRES.)
6. VALUES TO BE PROVIDED FOR THE FOLLOWING, SUBJECT TO ANY RANGES SHOWN ON THE FIELD OF DRAWING: MATERIAL, LAY-UP, PLY ORIENTATION REFERENCE RELATIVE TO [-A-], OVERALL LENGTH, HOLE DIAMETER, AND COUPON THICKNESS.



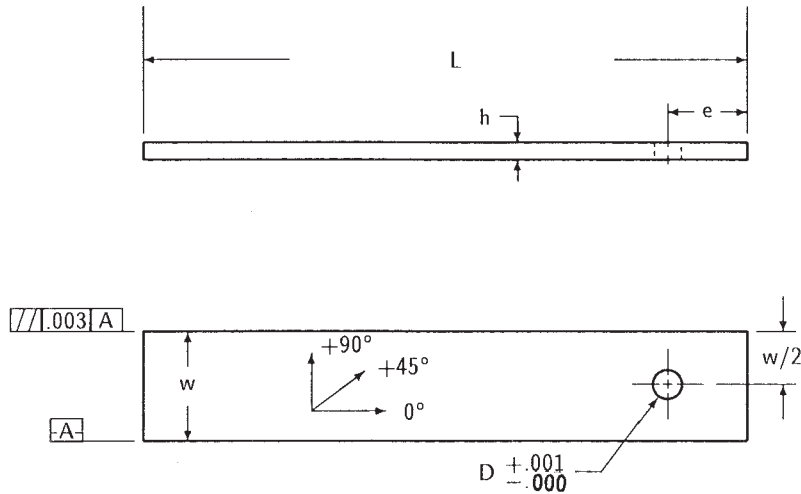
Parameter	Standard Dimension, mm
fastener or pin diameter, d	6 +0.00/-0.03
hole diameter, D	6 +0.03/-0.00
thickness range, h	3-5
length, L	135
width, w	36 ±1
edge distance, e	18 ±1
countersink	none

FIG. 1 Double-Shear Test Specimen Drawing (SI)

DRAWING NOTES:

1. INTERPRET DRAWING IN ACCORDANCE WITH ANSI Y14.5M-1982, SUBJECT TO THE FOLLOWING:
2. ALL DIMENSIONS IN INCHES WITH DECIMAL TOLERANCES AS FOLLOWS:

.X	.XX	.XXX
± .1	± .03	± .01
3. ALL ANGLES HAVE TOLERANCE OF ± .5°.
4. PLY ORIENTATION DIRECTION TOLERANCE RELATIVE TO -A- IS RECOMMENDED TO BE WITHIN ± .5°. (See Section 6.1.)
5. FINISH ON MACHINED EDGES NOT TO EXCEED 64√ (SYMBOLY IN ACCORDANCE WITH ASA B46.1, WITH ROUGHNESS HEIGHT IN MICROINCHES.)
6. VALUES TO BE PROVIDED FOR THE FOLLOWING, SUBJECT TO ANY RANGES SHOWN ON THE FIELD OF DRAWING: MATERIAL, LAY-UP, PLY ORIENTATION REFERENCE RELATIVE TO -A-, OVERALL LENGTH, HOLE DIAMETER, AND COUPON THICKNESS.



Parameter	Standard Dimension, in.
fastener or pin diameter, d	0.250 +0.000/-0.001
hole diameter, D	0.250 +0.001/-0.000
thickness range, h	0.125-0.208
length, L	5.5
width, w	1.5 ±0.03
edge distance, e	0.75 ±0.03
countersink	none

FIG. 2 Double-Shear Test Specimen Drawing (Inch-Pound)

be considered as being in accordance with this test method only as long as the values of all variant test parameters are prominently documented with the results.

Parameter	Standard	Variation
Loading condition:	double-shear	none
Mating material:	steel fixture	none
Number of holes:	1	none
Countersink:	none	none
Fit:	tight	any, if documented
Fastener torque:	2.2-3.4 N·m [20-30 lbf·in.]	any, if documented
Laminate:	quasi-isotropic	any, if documented
Fastener diameter:	6 mm [0.250 in.]	any, if documented
Edge distance ratio:	3	any, if documented
w/D ratio:	6	any, if documented
D/h ratio:	1.2-2	any, if documented

4.2 Procedure B, Single Shear:

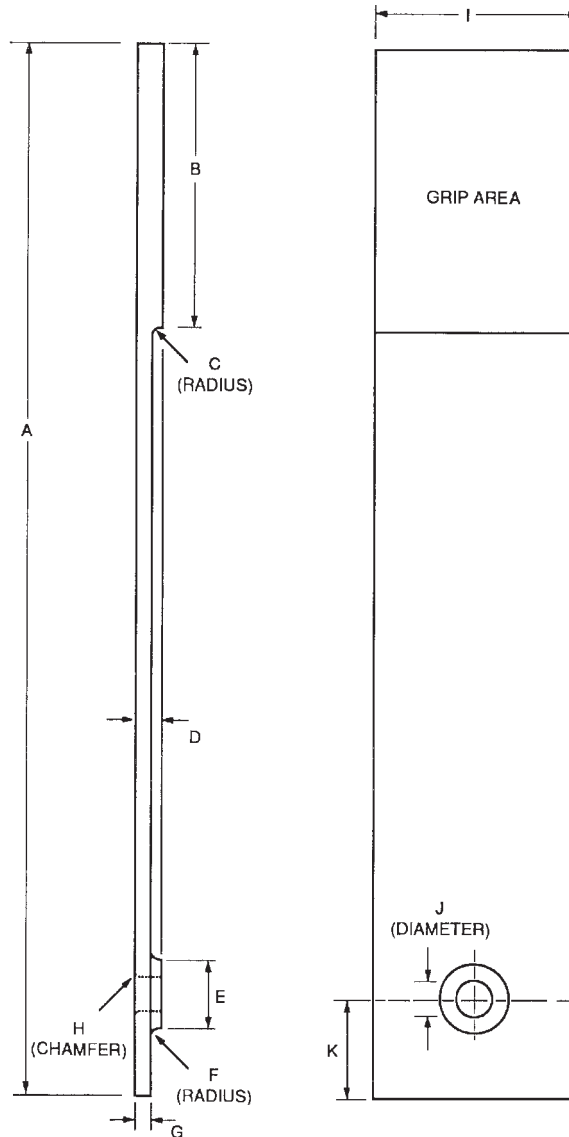
4.2.1 The flat, constant rectangular cross-section test specimen is composed of two like halves fastened together through one or two centerline holes located near one end of each half, as shown in the test specimen drawings of Figs. 5-8. The eccentricity in applied load that would otherwise result is minimized by a doubler bonded to each grip end of the

specimen, resulting in a load line-of-action along the interface between the specimen halves, through the centerline of the hole(s).

4.2.1.1 *Unstabilized Configuration (No Support Fixture)*—The ends of the test specimen are gripped in the jaws of a test machine and loaded in tension.

4.2.1.2 *Stabilized Configuration (Using Support Fixture)*—The test specimen is face-supported in a multipiece bolted support fixture, as shown in Fig. 9. The test specimen/fixture assembly is clamped in hydraulic wedge grips and the load is sheared into the support fixture and then sheared into the specimen.

4.2.2 Both the applied load and the associated deformation of the hole(s) are monitored. The deformation of the hole(s) is normalized by the hole diameter (a factor of two used to adjust for hole deformation occurring in the two halves) to result in an effective bearing strain. Likewise, the applied load is normalized by the projected hole area to yield an effective bearing stress. The specimen is loaded until a load maximum has



Recommended Material: 17-4PH Stainless Steel, 1 GPa [145 ksi] yield											
	A	B	C	D	E	F	G	H	I	J	K
mm	200	50	2	5	13	2	3	1	36	6	20
inch	7.75	2.00	0.06	0.20	0.50	0.06	0.12	0.04	1.50	0.25	0.75

FIG. 3 Fixture Loading Plate for Procedure A (2 Required)

clearly been reached, whereupon the test is terminated so as to prevent masking of the true failure mode by large-scale hole distortion, in order to provide a more representative failure mode assessment. Bearing stress versus bearing strain for the entire loading regime is plotted, and failure mode noted. The ultimate bearing strength of the material is determined from the maximum load carried prior to test termination.

4.2.3 The standard test configuration for this procedure does not allow any variation of the major test parameters. However, the following variations in configuration are allowed, but can be considered as being in accordance with this test method only as long as the values of all variant test parameters are prominently documented with the results.

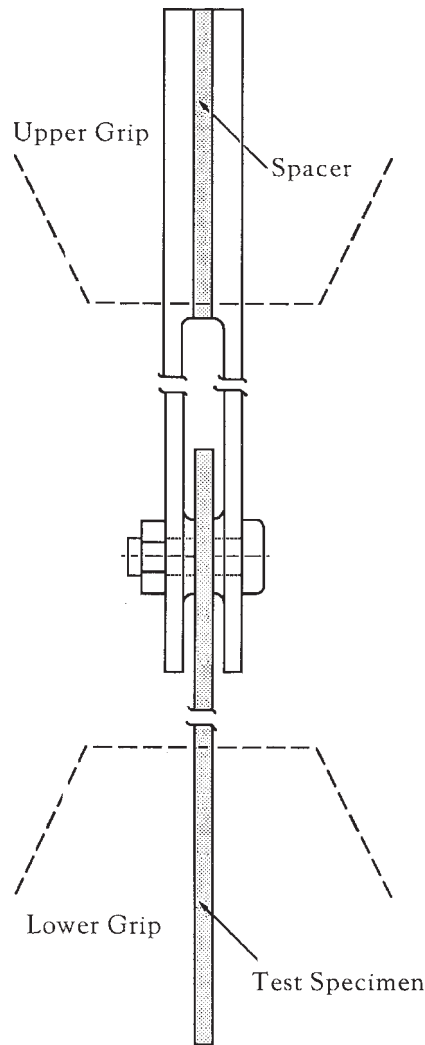


FIG. 4 Fixture Assembly for Procedure A

Parameter	Standard	Variation
Loading condition:	single-shear	none
Support fixture:	no	yes, if documented
Number of holes:	1	1 or 2
Countersunk holes:	no	yes, if documented
Grommets:	no	yes, if documented
Mating material:	same laminate	any, if documented
Fit:	tight	any, if documented
Fastener torque:	2.2-3.4 N-m [20-30 lbf-in.]	any, if documented
Laminate:	quasi-isotropic	any, if documented
Fastener diameter:	6 mm [0.250 in.]	any, if documented
Edge distance ratio:	3	any, if documented
w/D ratio:	6	any, if documented
D/h ratio:	1.2-2	any, if documented

5. Significance and Use

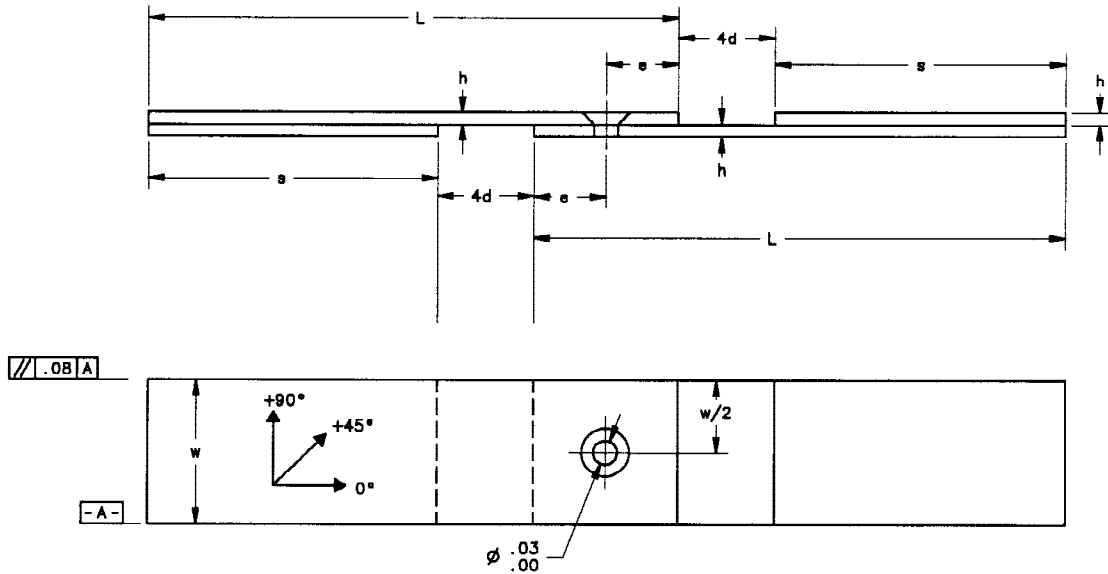
5.1 This test method is designed to produce bearing response data for material specifications, research and development, quality assurance, and structural design and analysis. The standard configuration for each procedure is very specific and is intended primarily for development of quantitative double- and single-shear bearing response data for material

comparison and specification. Procedure A, the double-shear configuration, with a single fastener, is particularly recommended for basic material evaluation and comparison. Procedure B, the single-shear, single- or double-fastener configuration is more useful in evaluation of specific joint configurations. The specimen may be tested in either an unstabilized (no support fixture) or stabilized configuration. The unstabilized configuration is intended for generation of data for the extreme case of unstabilized, pure single-shear loading. The stabilized configuration is intended for generation of data at an intermediate level of stabilization, relative to the double-shear and single-shear configurations. The stabilized configuration has been extensively used in the development of design allowables data. The variants of either procedure provide flexibility in the conduct of the test, allowing adaptation of the test setup to a specific application. However, the flexibility of test parameters allowed by the variants makes

DRAWING NOTES:

1. INTERPRET DRAWING IN ACCORDANCE WITH ANSI Y14.5M-1982, SUBJECT TO THE FOLLOWING:
2. ALL DIMENSIONS IN MILLIMETRES WITH DECIMAL TOLERANCES AS FOLLOWS:

NO DECIMAL	.X	.XX
+/-3	+/-1	+/- .3
3. ALL ANGLES HAVE TOLERANCE OF +/- .5°.
4. PLY ORIENTATION DIRECTION TOLERANCE RELATIVE TO -A- WITHIN +/- .5°.
5. FINISH ON MACHINED EDGES NOT TO EXCEED $1.6\sqrt{\text{R}}$ SYMBOLOGY IN ACCORDANCE WITH ASA B46.1, WITH ROUGHNESS HEIGHT IN MICROMETRES.)
6. VALUES TO BE PROVIDED FOR THE FOLLOWING, SUBJECT TO ANY RANGES SHOWN ON THE FIELD OF DRAWING; MATERIAL, LAY-UP, PLY ORIENTATION REFERENCE RELATIVE TO -A-, OVERALL LENGTH, HOLE DIAMETER, COUNTERSINK DETAILS, COUPON THICKNESS, DOUBLER MATERIAL, DOUBLER ADHESIVE.



Parameters	Standard Dimensions of Specimen (mm)	
	without support fixture	with support fixture
fastener diameter, d	6+0.00/-0.03	6+0.00/-0.03
hole diameter, ϕ	6+0.03/-0.00	6+0.03/-0.00
thickness range, h	3-5	3-5
length, L	135	189
width, w	36 +/-1	36 +/-1
edge distance, e	18 +/-1	18 +/-1
countersink	none (optional)	none (optional)
doubler length, s	75	129

FIG. 5 Single-Shear, Single-Fastener Test Specimen Drawing (SI) (See Fig. 7 for details of double-fastener version.)

meaningful comparison between datasets difficult if the datasets were not tested using identical test parameters.

5.2 General factors that influence the mechanical response of composite laminates and should therefore be reported include the following: material, methods of material preparation and lay-up, specimen stacking sequence, specimen preparation, specimen conditioning, environment of testing, specimen alignment and gripping, speed of testing, time at temperature, void content, and volume percent reinforcement.

5.3 Specific factors that influence the bearing response of composite laminates and should therefore be reported include not only the loading method (either Procedure A or B) but the

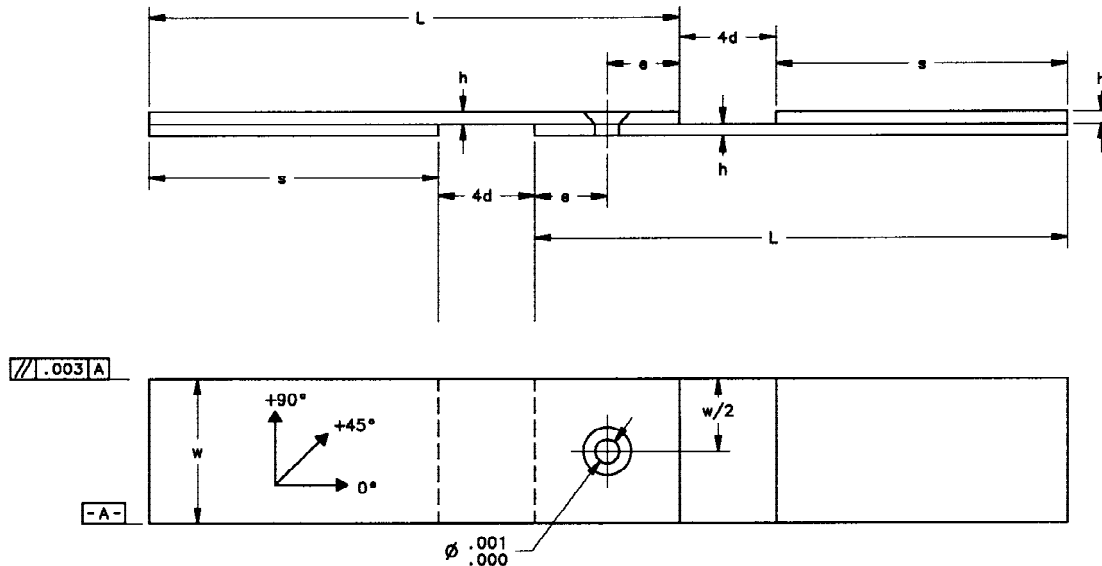
following: (for both procedures) edge distance ratio, width to diameter ratio, diameter to thickness ratio, fastener torque, fastener or pin material, fastener or pin clearance; and (for Procedure B only) countersink angle and depth of countersink, type of grommet (if used), type of mating material, number of fasteners, and type of support fixture (if used). Properties, in the test direction, which may be obtained from this test method include the following:

- 5.3.1 Ultimate bearing strength, F^{bru} ,
- 5.3.2 Bearing chord stiffness, E^{br} ,
- 5.3.3 Offset bearing strength, F^{bro} and
- 5.3.4 Bearing stress/bearing strain curve.

DRAWING NOTES:

1. INTERPRET DRAWING IN ACCORDANCE WITH ANSI Y14.5M-1982, SUBJECT TO THE FOLLOWING:
2. ALL DIMENSIONS IN INCHES WITH DECIMAL TOLERANCES AS FOLLOWS:

.X	.XX	.XXX
+/- .1	+/- .03	+/- .003
3. ALL ANGLES HAVE TOLERANCE OF +/- .5°.
4. PLY ORIENTATION DIRECTION TOLERANCE RELATIVE TO -A- WITHIN +/- .5°.
5. FINISH ON MACHINED EDGES NOT TO EXCEED $\sqrt{64}$ SYMBOLOLOGY IN ACCORDANCE WITH ASA B46.1, WITH ROUGHNESS HEIGHT IN MICROINCHES.)
6. VALUES TO BE PROVIDED FOR THE FOLLOWING, SUBJECT TO ANY RANGES SHOWN ON THE FIELD OF DRAWING; MATERIAL, LAY-UP, PLY ORIENTATION REFERENCE RELATIVE TO -A-, OVERALL LENGTH, HOLE DIAMETER, COUNTERSINK DETAILS, COUPON THICKNESS, DOUBLER MATERIAL, DOUBLER ADHESIVE.



Parameters	Standard Dimensions of Specimen (inches)	
	without support fixture	with support fixture
fastener diameter, d	0.250+0.000/-0.001	0.250 +0.000/-0.001
hole diameter, phi	0.250+0.001/-0.000	0.250 +0.001/-0.000
thickness range, h	0.125-0.208	0.125-0.208
length, L	5.5	7.5
width, w	1.5+/-0.03	1.5+/-0.03
edge distance, e	0.75+/-0.03	0.75+/-0.03
countersink	none(optional)	none (optional)
doubler length, s	3.0	5.0

FIG. 6 Single-Shear Test Specimen Drawing (Inch-Pound) (See Fig. 8 for details of double-fastener version.)

6. Interferences

6.1 *Material and Specimen Preparation*—Bearing response is sensitive to poor material fabrication practices (including lack of control of fiber alignment), damage induced by improper specimen machining (especially critical is hole preparation), and torqued fastener installation. Fiber alignment relative to the specimen coordinate axis should be maintained as carefully as possible, although there is currently no standard procedure to ensure or determine this alignment. A practice that has been found satisfactory for many materials is the addition of small amounts of tracer yarn to the prepreg parallel to the 0° direction, added either as part of the prepreg production or as part of panel fabrication. See Guide D 5687/D 5687M for further information on recommended specimen preparation practices.

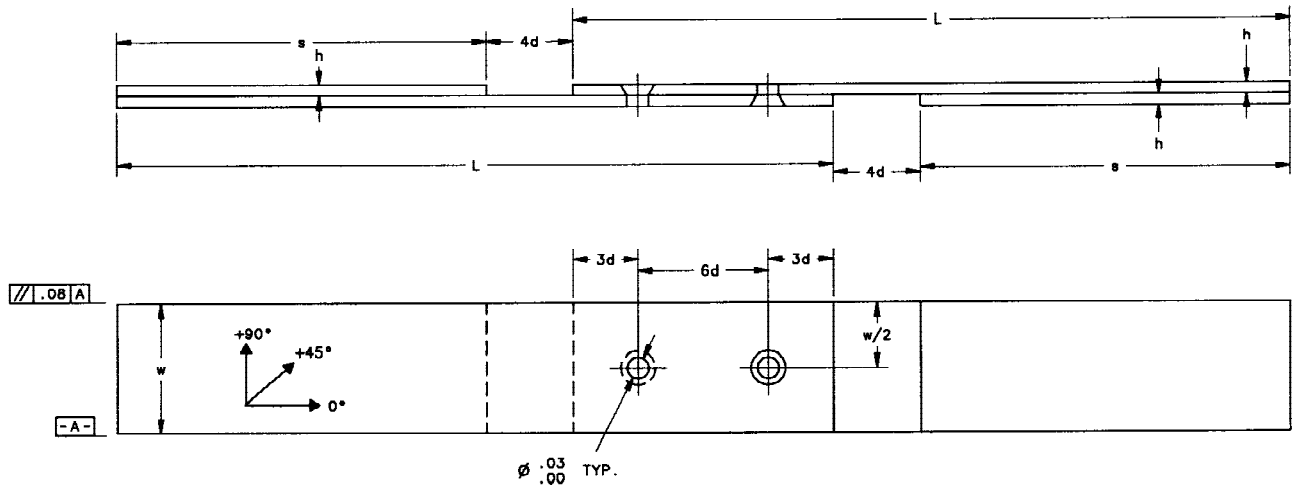
6.2 *Restraining Surfaces*—The degree to which out-of-plane hole deformation is possible, due to lack of restraint by the fixture or the fastener, has been shown to affect test results.

6.3 *Cleanliness*—The degree of cleanliness of the mating surfaces has been found to produce significant variations in test results.

6.4 *Eccentricity (Procedure B only)*—A loading eccentricity is created in single-shear tests by the offset, in one plane, of the line of action of load between each half of the test specimen. This eccentricity creates a moment that, particularly in clearance hole tests, rotates the fastener, resulting in an uneven contact stress distribution through the thickness of the specimen. The effect of this eccentricity upon test results is strongly dependent upon the degree of clearance in the hole, the size of the fastener head, the mating area, the coefficient of friction

DRAWING NOTES:

1. INTERPRET DRAWING IN ACCORDANCE WITH ANSI Y14.5M-1982, SUBJECT TO THE FOLLOWING:
2. ALL DIMENSIONS IN MM WITH DECIMAL TOLERANCES AS FOLLOWS:
 NO DECIMAL .X .XX X
 +/-3 +/-1 +/- .3
3. ALL ANGLES HAVE TOLERANCE OF +/- .5°.
4. PLY ORIENTATION DIRECTION TOLERANCE RELATIVE TO -A- WITHIN +/- .5°.
5. FINISH ON MACHINED EDGES NOT TO EXCEED $1.6\sqrt{\text{R}}$ SYMBOLOGY IN ACCORDANCE WITH ASA B46.1, WITH ROUGHNESS HEIGHT IN MICROMETRES.)
6. VALUES TO BE PROVIDED FOR THE FOLLOWING, SUBJECT TO ANY RANGES SHOWN ON THE FIELD OF DRAWING; MATERIAL, LAY-UP, PLY ORIENTATION REFERENCE RELATIVE TO -A-, OVERALL LENGTH, HOLE DIAMETER, COUNTERSINK DETAILS, COUPON THICKNESS, DOUBLER MATERIAL, DOUBLER ADHESIVE.



Parameters	Standard Dimensions of Specimen (mm)	
	without support fixture	with support fixture
fastener diameter, d	6 + 0.00/-0.03	6 + 0.00/-0.03
hole diameter, ϕ	6 + 0.03/-0.00	6 + 0.03/-0.00
thickness range, h	3-5	3-5
length, L	210	210
width, w	36 +/- 1	36 +/- 1
edge distance, e	18 +/- 1	18 +/- 1
countersink	none(optional)	none (optional)
doubler length, s	108	108

FIG. 7 Single-Shear, Double-Fastener Test Specimen Drawing (SI)

between the specimen and the mating material, the thickness and stiffness of the specimen, the thickness and stiffness of the mating material, and the configuration of the support fixture. Consequently, results obtained from this procedure where the support fixture is used may not accurately replicate behavior in other structural configurations.

6.5 *Hole Preparation*—Due to the dominating presence of the filled hole(s), results from this test method are relatively insensitive to parameters that would be of concern in an unnotched tensile or compressive property test. However, since the filled hole(s) dominates the strength, consistent preparation of the hole without damage to the laminate is important to meaningful results. Damage due to hole preparation will affect strength results and can reduce the calculated strength.

6.6 *Fastener-Hole Clearance*—Results are affected by the clearance arising from the difference between hole and fastener diameters. Clearance can change the observed specimen behavior by delaying the onset of bearing damage. Damage due

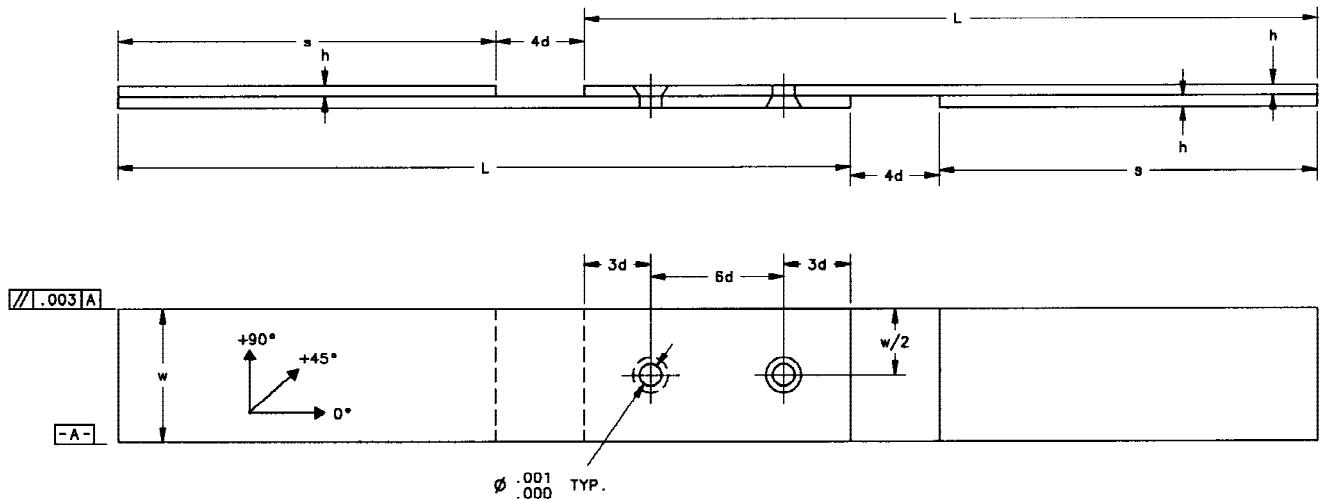
to insufficient clearance during fastener installation will affect strength results. Countersink flushness (depth or protrusion of the fastener head in a countersunk hole) will affect strength results and may affect the observed failure mode. For these reasons, both the hole and fastener diameters must be accurately measured and recorded. A typical aerospace tolerance on fastener-hole clearance is +75/-0 μm [+0.003/-0.000 in.] for structural fastener holes.

6.7 *Fastener Torque/Pre-load*—Results are affected by the installed fastener pre-load (clamping pressure). Laminates can exhibit significant differences in both failure load and failure mode due to changes in fastener pre-load under bearing loading. The critical pre-load condition (that is, either high or low clamping pressure) can vary depending upon the type of loading, the laminate stacking sequence and the desired failure mode. The nominal test configuration uses a relatively low level of fastener installation torque to give conservative bearing stress results. For specimens that produce bearing failure

DRAWING NOTES:

1. INTERPRET DRAWING IN ACCORDANCE WITH ANSI Y14.5M-1982, SUBJECT TO THE FOLLOWING:
2. ALL DIMENSIONS IN INCHES WITH DECIMAL TOLERANCES AS FOLLOWS:

.X	.XX	.XXX
+/- .1	+/- .03	+/- .003
3. ALL ANGLES HAVE TOLERANCE OF +/- .5°.
4. PLY ORIENTATION DIRECTION TOLERANCE RELATIVE TO -A- WITHIN +/- .5°.
5. FINISH ON MACHINED EDGES NOT TO EXCEED $\sqrt{64}$ (SYMBOLGY IN ACCORDANCE WITH ASA B46.1, WITH ROUGHNESS HEIGHT IN MICROINCHES.)
6. VALUES TO BE PROVIDED FOR THE FOLLOWING, SUBJECT TO ANY RANGES SHOWN ON THE FIELD OF DRAWING; MATERIAL, LAY-UP, PLY ORIENTATION REFERENCE RELATIVE TO -A-, OVERALL LENGTH, HOLE DIAMETER, COUNTERSINK DETAILS, COUPON THICKNESS, DOUBLER MATERIAL, DOUBLER ADHESIVE.



Parameters	Standard Dimensions of Specimen (inches)	
	without support fixture	with support fixture
fastener diameter, d	0.250+0.000/-0.001	0.250 +0.000/-0.001
hole diameter, ϕ	0.250+0.001/-0.000	0.250 +0.001/-0.000
thickness range, h	0.125-0.208	0.125-0.208
length, L	8.25	8.25
width, w	1.5+/-0.03	1.5+/-0.03
edge distance, s	0.75+/-0.03	0.75+/-0.03
countersink	none(optional)	none (optional)
doubler length, s	4.25	4.25

FIG. 8 Single-Shear, Double Fastener Test Specimen Drawing (Inch-Pound)

modes, bearing strengths for specimens with high clamping pressure fasteners are almost always higher than the corresponding low clamping pressure bearing strengths. Valid bearing strength results should only be reported when appropriate failure modes are observed, in accordance with 11.5.

6.8 *Specimen Geometry*—Results are affected by the ratio of specimen width to hole diameter; this ratio should be maintained at 6, unless the experiment is investigating the influence of this ratio, or invalid (bypass) failure modes occur. Results may also be affected by the ratio of hole diameter to thickness; the preferred ratio is the range from 1.5-3.0 unless the experiment is investigating the influence of this ratio. Results may also be affected by the ratio of countersunk (flush) head depth to thickness; the preferred ratio is the range from 0.0-0.7 unless the experiment is investigating the influence of this ratio. Results may also be affected by the ratio of

ungripped specimen length to specimen width; this ratio should be maintained as shown, unless the experiment is investigating the influence of this ratio.

6.9 *Material Orthotropy*—The degree of laminate orthotropy strongly affects the failure mode and measured bearing strengths. Bearing strength results should only be reported when appropriate and valid failure modes are observed, in accordance with 11.5.

6.10 *Thickness Scaling*—Thick composite structures do not necessarily fail at the same strengths as thin structures with the same laminate orientation (that is, strength does not always scale properly). Thus, data gathered using these procedures may not translate directly into equivalent thick-structure properties.

6.11 *Other*—Test Methods E 238 and D 953 contain further discussions of other variables affecting bearing-type testing.

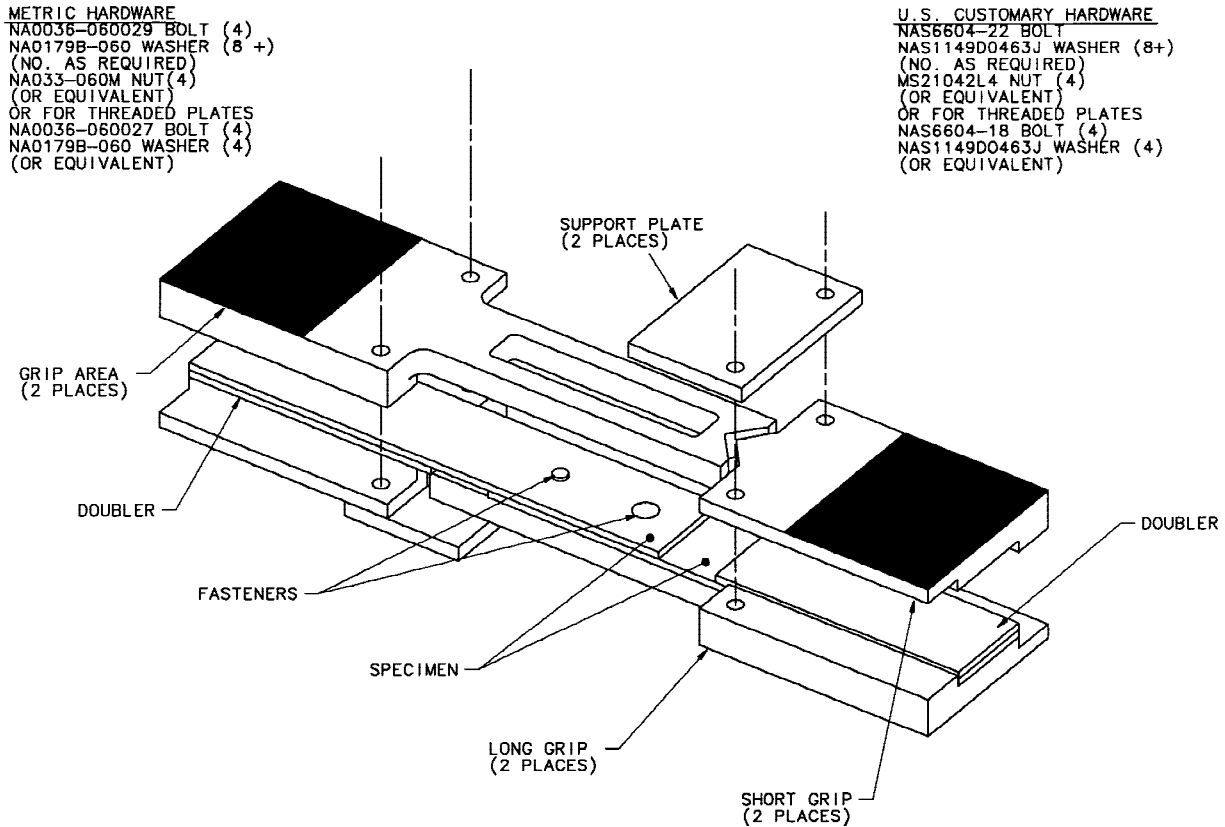


FIG. 9 Support Fixture Assembly for Procedure B

7. Apparatus

7.1 *Micrometers*—The micrometer(s) shall use a 4 to 5-mm [0.16 to 0.20-in.] nominal diameter ball-interface on irregular surfaces such as the bag-side of a laminate, and a flat anvil interface on machined edges or very smooth tooled surfaces. The accuracy of the instrument(s) shall be suitable for reading to within 1 % of the sample width and thickness. For typical specimen geometries, an instrument with an accuracy of ± 2.5 mm [± 0.0001 in.] is desirable for thickness measurement, while an instrument with an accuracy of ± 25 mm [± 0.001 in.] is desirable for width measurement.

7.2 *Loading Fastener or Pin*—The fastener (or pin) type shall be specified as an initial test parameter and reported. The assembly torque (if applicable) shall be specified as an initial test parameter and reported. This value may be a measured torque or a specification torque for fasteners with lock-setting features. If washers are utilized, the washer type, number of washers, and washer location(s) shall be specified as initial test parameters and reported. The reuse of fasteners is not recommended due to potential differences in through-thickness clamp-up for a given torque level, caused by wear of the threads.

7.3 *Fixture:*

7.3.1 *Procedure A*—The load shall be applied to the specimen by means of a double-shear clevis similar to that shown in Figs. 3 and 4, using the loading fastener or pin. For torqued tests, the clevis shall allow a torqued fastener to apply a transverse compressive load to the specimen around the periphery of the hole. The fixture shall allow a bearing strain

indicator to monitor the hole deformation relative to the fixture, over the length from the centerline of the fastener or pin to the end of the specimen, as shown in Fig. 10.

7.3.2 *Procedure B*—The load shall be applied to the specimen by means of a mating single-shear attachment (normally identical to the specimen) using the fastener or pin. The mating material, thickness, edge distance, length, and hole clearance shall be specified as part of the test parameters. The line of action of the load shall be adjusted by specimen doublers to be coincident and parallel to the interface between the test specimen and the joint mate. If the mating attachment is permanently deformed by the test, it shall be replaced after each test, as required. The mating attachment and support fixture (if used) will allow a bearing strain indicator to measure the required hole deformation relative to the mating attachment, as shown in Fig. 10.

7.4 *Support Fixture (Procedure B Only)*—The fixture is a face-supported test fixture as shown in Fig. 9. The fixture consists of two short-grip/long-grip assemblies, two support plates, and stainless steel shims as required to maintain a nominally zero (0.00 to 0.12-mm [0.000 to 0.005-in] tolerance) gap between the support plates and the long grips. If this gap does not meet the minimum requirement, shim the contact area between the support plate and the short grip with stainless steel shim stock. If the gap is too large, shim between the support plate and the long grip, holding the shim stock on the support plate with tape. Fig. 11 shows shim requirements. The fixture should be checked for conformity to engineering drawings. Each short-grip/long-grip assembly is line-drilled as shown in

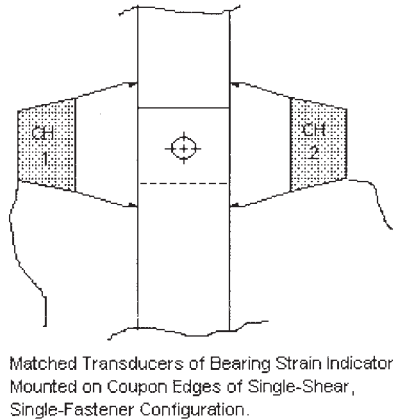
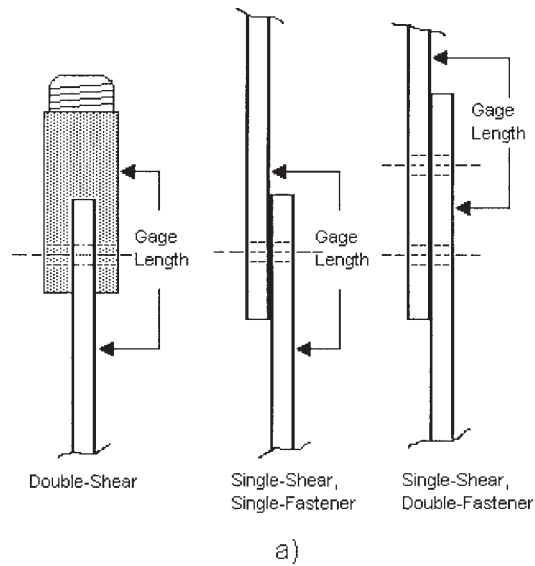


FIG. 10 Transducer Gage Length and Location

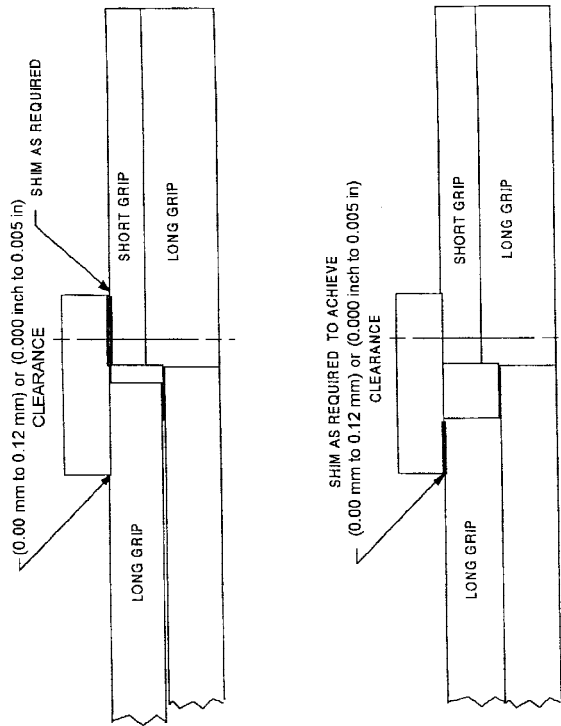
Figs. 12 and 13 and must be used as a matched set. The threading of the support plate is optional. Standard test specimens for single- and multiple-fastener configurations are 36 by 340 mm [1.5 by 13.5 in.] to allow testing of both configurations in the same support fixture. The fixture is hydraulically gripped on each end and the load is sheared by means of friction through the fixture and into the test specimen. A cutout exists on both faces of the fixture for a thermocouple, fastener(s) and surface-mounted extensometer, and the width of the long grip face is less than that of the test specimen to accommodate an edge-mounted extensometer, if required by the requesting organization. The long and short fixtures have an undercut along the corner of the specimen grip area so that specimens are not required to be chamfered and to avoid damage caused by the radius. The fixtures also allow a slight clearance between the fixture and the gage section of the specimen, in order to minimize grip failures and friction effects. This fixture does not allow specimens to be end loaded.

7.4.1 *Support Fixture Details*—The detailed drawings for manufacturing the support fixture are contained in Figs. 14-21. An optional threaded support plate is shown in Figs. 22 and 23, to be used instead of the support plate shown in Figs. 20 and 21 and the nuts called out in Fig. 9. Other fixtures that meet the requirements of this section may be used. The following general notes apply to these figures:

7.4.1.1 Machine surfaces to a 3.2 [125] finish unless otherwise specified.

7.4.1.2 Break all edges.

7.4.1.3 Specimen-gripping area shall be thermal sprayed using high-velocity oxygen fueled (HVOF), electrospark deposition (ESD), or equivalent process.



A. SHIM TO OBTAIN CLEARANCE. B. SHIM TO REDUCE CLEARANCE.
FIG. 11 Support Fixture-Shim Requirements

7.4.1.4 The test fixture may be made of low-carbon steel for ambient temperature testing. For non-ambient environmental conditions, the recommended fixture material is a nonheat-treated ferritic or precipitation-hardened stainless steel (heat treatment for improved durability is acceptable but not required).

NOTE 2—Experience has shown that fixtures may be damaged in use, thus periodic reinspection of the fixture dimensions and tolerances is important.

7.5 Testing Machine—The testing machine shall be in conformance with Practices E 4, and shall satisfy the following requirements:

7.5.1 Testing Machine Configuration—The testing machine shall have both an essentially stationary head and a movable head. A short loading train and rigidly mounted hydraulic grips shall be used for Procedure B using the support fixture.

7.5.2 Drive Mechanism—The testing machine drive mechanism shall be capable of imparting to the movable head a controlled velocity with respect to the stationary head. The velocity of the movable head shall be capable of being regulated as specified in 11.4.

7.5.3 Load Indicator—The testing machine load-sensing device shall be capable of indicating the total load being carried by the test specimen. This device shall be essentially free from inertia-lag at the specified rate of testing and shall indicate the load with an accuracy over the load range(s) of interest of within $\pm 1\%$ of the indicated value.

7.5.4 Grips—Each head of the testing machine shall be capable of holding one end of the test assembly so that the

direction of load applied to the specimen is coincident with the longitudinal axis of the specimen. Wedge grips shall apply sufficient lateral pressure to prevent slippage between the grip face and the test specimen or support fixture.

7.6 Bearing Strain Indicator—Bearing strain data shall be determined by a bearing strain indicator able to measure longitudinal hole deformation simultaneously on opposite edges of the specimen, as shown in Fig. 10 (the average of which corrects for in-plane joint rotation). The transducers of the bearing strain indicator may provide either individual signals to be externally averaged or an electronically averaged signal. The indicator may consist of two matched strain-gage extensometers or displacement transducers such as LVDTs or DCDTs. Attachment of the bearing strain indicator to the specimen shall not cause damage to the specimen surface. Transducers shall satisfy, at a minimum, Practice E 83, Class B-2 requirements for the bearing strain/displacement range of interest, and shall be calibrated over that range in accordance with Practice E 83. The transducers shall be essentially free of inertia lag at the specified speed of testing.

NOTE 3—A matched set of extensometers mounted on opposite faces would be required to quantify and correct for out-of-plane joint rotation, which is the primary variable of concern in a single-shear loading configuration.

7.6.1 Torque Wrench—If using a torqued fastener, a torque wrench used to tighten a joint fastener shall be capable of determining the applied torque to within $\pm 10\%$ of the desired value.

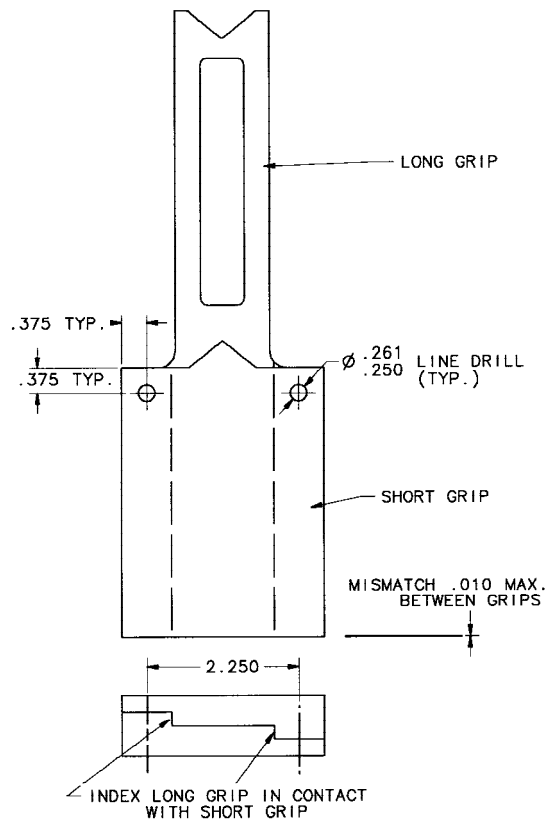


FIG. 12 Support Fixture-Line Drilling Details (Inch-Pound)

7.7 *Conditioning Chamber*—When conditioning materials at non-laboratory environments, a temperature-/vapor-level controlled environmental conditioning chamber is required that shall be capable of maintaining the required temperature to within $\pm 3^{\circ}\text{C}$ [$\pm 5^{\circ}\text{F}$] and the required relative humidity level to within $\pm 3\%$. Chamber conditions shall be monitored either on an automated continuous basis or on a manual basis at regular intervals.

7.8 *Environmental Test Chamber*—An environmental test chamber is required for test environments other than ambient testing laboratory conditions. This chamber shall be capable of maintaining the gage section of the test specimen at the required test environment during the mechanical test.

8. Sampling and Test Specimens

8.1 *Sampling*—Test at least five specimens per test condition unless valid results can be gained through the use of fewer specimens, as in the case of a designed experiment. For statistically significant data the procedures outlined in Practice E 122 should be consulted. The method of sampling shall be reported.

NOTE 4—If specimens are to undergo environmental conditioning to equilibrium, and are of such type or geometry that the weight change of the material cannot be properly measured by weighing the specimen itself (such as a tabbed mechanical specimen), then use a traveler specimen of the same nominal thickness and appropriate size (but without tabs) to determine when equilibrium has been reached for the specimens being conditioned.

8.2 Geometry:

8.2.1 *Stacking Sequence*—The standard laminate shall have multidirectional fiber orientations (fibers shall be oriented in a minimum of two directions), and balanced and symmetric stacking sequences. Nominal thickness shall be as close as possible to 4 mm [0.160 in.], with a permissible range from 3 to 5 mm [0.110 to 0.208 in.], inclusive. Fabric laminates containing satin-type weaves shall have symmetric warp surfaces, unless otherwise specified and noted in the report.

NOTE 5—Typically, a $[45^{\circ}/0^{\circ}/-45^{\circ}/90^{\circ}]_{ms}$ tape or $[45^{\circ}/0^{\circ}]_{ms}$ fabric laminate should be selected such that a minimum of 5% of the fibers lay in each of the four principal orientations. This laminate design has been found to yield the highest likelihood of acceptable failure modes.

8.2.2 Configuration:

8.2.2.1 *Procedure A*—The geometry of the specimen for Procedure A is shown in Figs. 1 and 2.

8.2.2.2 *Procedure B*—The geometry of the specimen for Procedure B is shown in Figs. 5 and 6 for a single-fastener joint and Figs. 7 and 8 for a double-fastener joint. Note that the countersink(s) shown in the drawings is optional. For a double-fastener configuration, extend the length of each specimen half by the required distance and place a second bearing hole in line with the first, as shown in Figs. 7 and 8. If the double-fastener specimen is using countersunk fasteners, one countersink should be located on each side of the specimen, as shown. Note that if the support fixture is used for either the single or double-fastener specimen configuration, the length of each specimen half and doubler must be adjusted as shown in Figs. 5-8 to accommodate loading with the fixture.

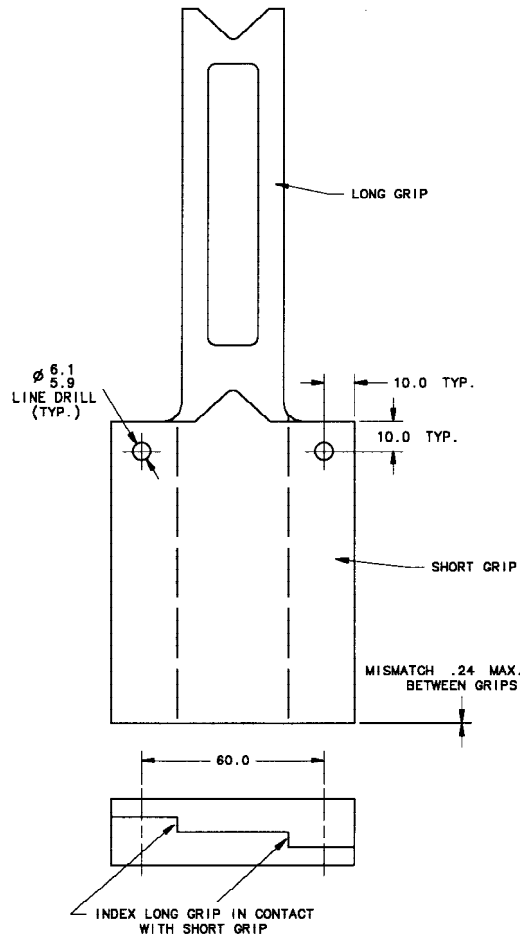


FIG. 13 Support Fixture-Line Drilling Details (SI)

NOTE 6—When the double-fastener specimen is using countersunk fasteners, the countersink as shown is located on opposing faces of the specimen in order to provide an exact 50:50 load split between the two fasteners. This configuration has the potential to produce a net section failure mode at the first fastener (nearest the grips) rather than a pure bearing failure mode. As the scope of this test method is limited to bearing response, a net section failure mode at the first fastener location shall be clearly noted in the report and is cause for declaring the bearing test value invalid. If an alternate configuration, such as locating the countersink for both fasteners on the same face of the specimen, is desired to better represent an actual structural joint, the deviation shall be clearly noted in the test report.

8.2.3 *Doubler Material*—The use of continuous E-glass fiber-reinforced polymer matrix materials (woven or unwoven) in a [0/90] *ns* laminate configuration is recommended for the unsupported single-shear test configuration. The doubler material is commonly applied at 45° to the loading direction to provide a soft interface. The use of doublers made from the same laminate as the specimen being tested is recommended for stabilized single-shear tests, as this ensures that the doublers are the same thickness as the laminate being tested, which is critical for the stabilized single shear test configuration.

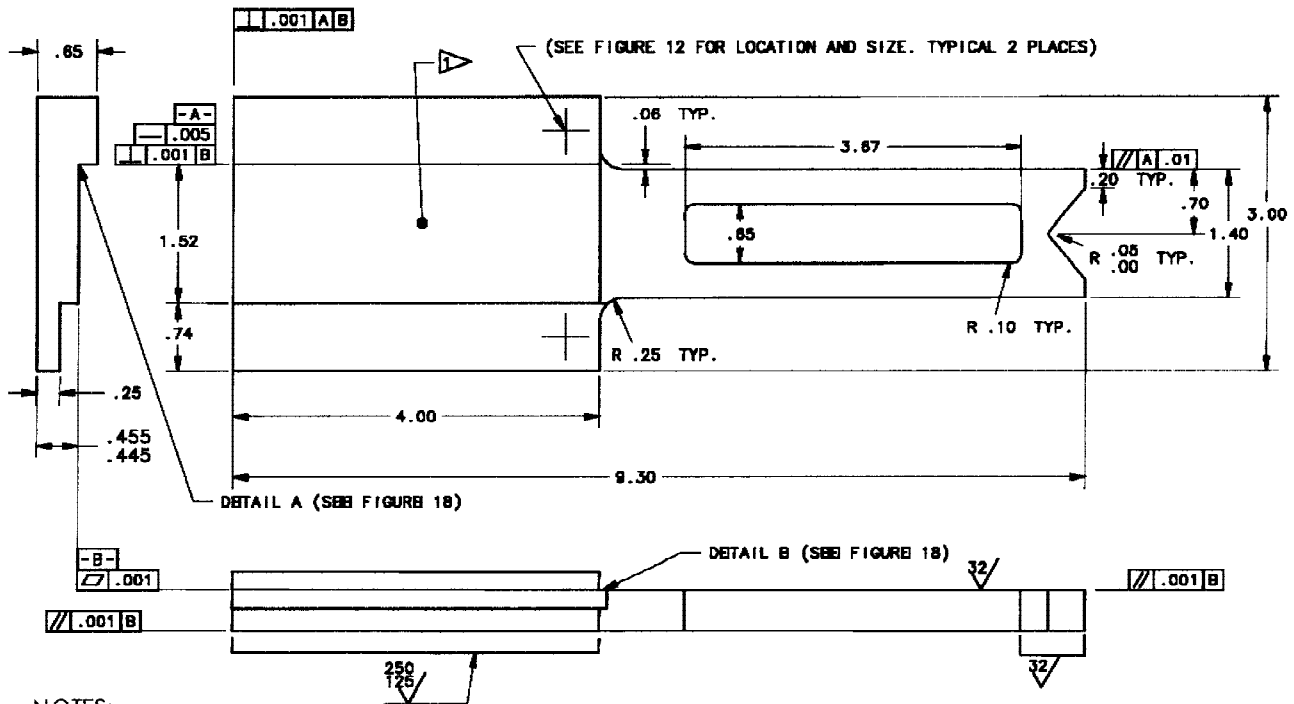
8.2.4 *Adhesive*—Any high-elongation (tough) adhesive system that meets the environmental requirements may be used when bonding doublers to the material under test. A uniform bondline of minimum thickness is desirable to reduce undesir-

able stresses in the assembly. It is not necessary to bond the doublers to the specimen when using a stabilization fixture.

8.3 *Specimen Preparation*—Guide D 5687/D 5687M provides recommended specimen preparation practices and should be followed where practical.

8.3.1 *Panel Fabrication*—Control of fiber alignment is critical. Improper fiber alignment will reduce the measured properties. The panel(s) must be flat and of uniform thickness to ensure even loading. Erratic fiber alignment will also increase the coefficient of variation. Report the panel fabrication method.

8.3.2 *Machining Methods*—Specimen preparation is extremely important for this specimen. Take precautions when cutting specimens from plates to avoid notches, undercuts, rough or uneven surfaces, or delaminations due to inappropriate machining methods. Obtain final dimensions by water-lubricated precision sawing, milling, or grinding. The use of diamond tooling has been found to be extremely effective for many material systems. Edges should be flat and parallel within the specified tolerances. Holes should be drilled under-sized and reamed to final dimensions. Special care shall be taken to ensure that creation of the specimen hole does not delaminate or otherwise damage the material surrounding the hole. Machining tolerances and surface finish requirements are



NOTES:

Thermal spray surface using either high velocity oxygen fueled (HVOF) process or electrospark deposition (ESD) process.

2. Tolerance except as noted is linear ± 0.03 in.

FIG. 14 Support Fixture-Long Grip Details (Inch-Pound)

as noted in Figs. 1 and 2 and Figs. 5-8. Record and report the specimen cutting and hole preparation methods.

8.3.3 *Labeling*—Label the specimens so that they will be distinct from each other and traceable back to the raw material, and in a manner that will both be unaffected by the test and not influence the test.

9. Calibration

9.1 The accuracy of all measuring equipment shall have certified calibrations that are current at the time of use of the equipment.

10. Conditioning

10.1 *Standard Conditioning Procedure*—Unless a different environment is specified as part of the experiment, condition the test specimens in accordance with Procedure C of Test Method D 5229/D 5229M, and store and test at standard laboratory atmosphere ($23 \pm 3^\circ\text{C}$ [$73 \pm 5^\circ\text{F}$] and $50 \pm 10\%$ relative humidity).

11. Procedure

11.1 *Parameters to Be Specified Prior to Test:*

11.1.1 The specimen sampling method, specimen type and geometry, fastener type and material, countersink angle and depth (if appropriate), fastener torque (if appropriate), use of washers (if appropriate), support fixture (if appropriate), cleaning process, and conditioning travelers (if required).

11.1.2 The bearing properties, offset bearing strain value and data reporting format desired.

NOTE 7—Unless otherwise specified, an offset bearing strain of 2 % shall be used.

NOTE 8—Determine specific material property, accuracy, and data reporting requirements prior to test for proper selection of instrumentation and data recording equipment. Estimate operating bearing stress and bearing strain levels to aid in transducer selection, calibration of equipment, and determination of equipment settings.

11.1.3 The environmental conditioning test parameters.

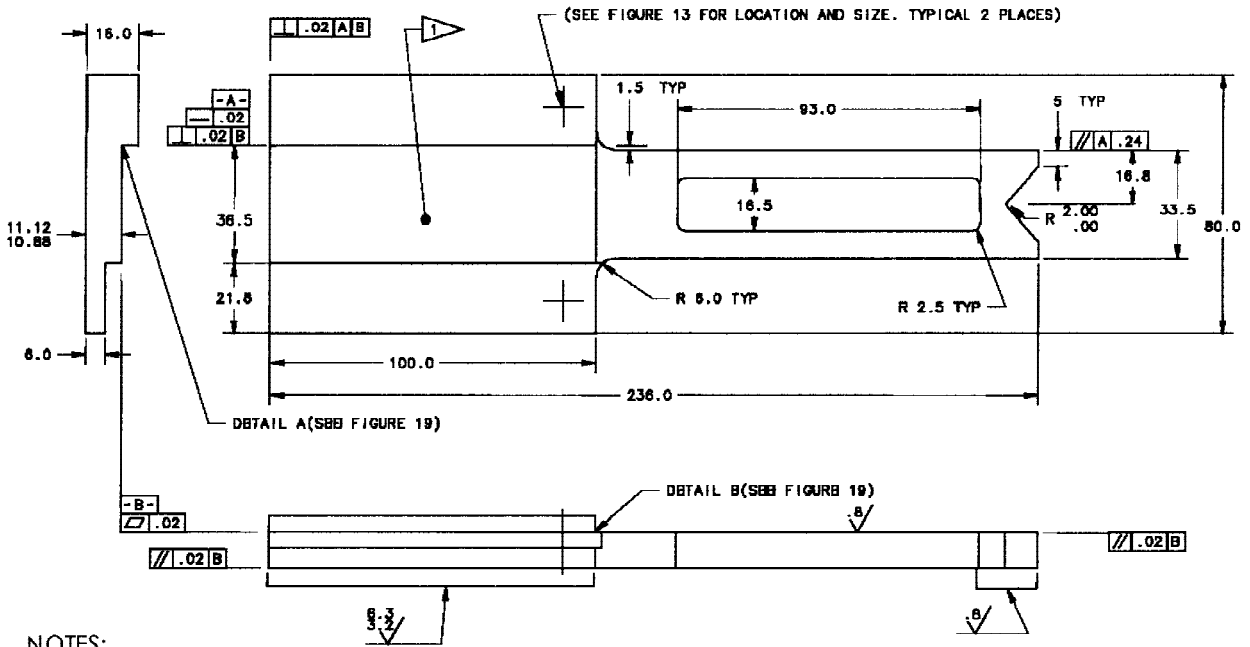
11.1.4 If performed, extensometry requirements and related calculations.

11.1.5 If performed, the sampling method, specimen geometry, and test parameters used to determine density and reinforcement volume.

11.2 *General Instructions:*

11.2.1 Report any deviations from this test method, whether intentional or inadvertent.

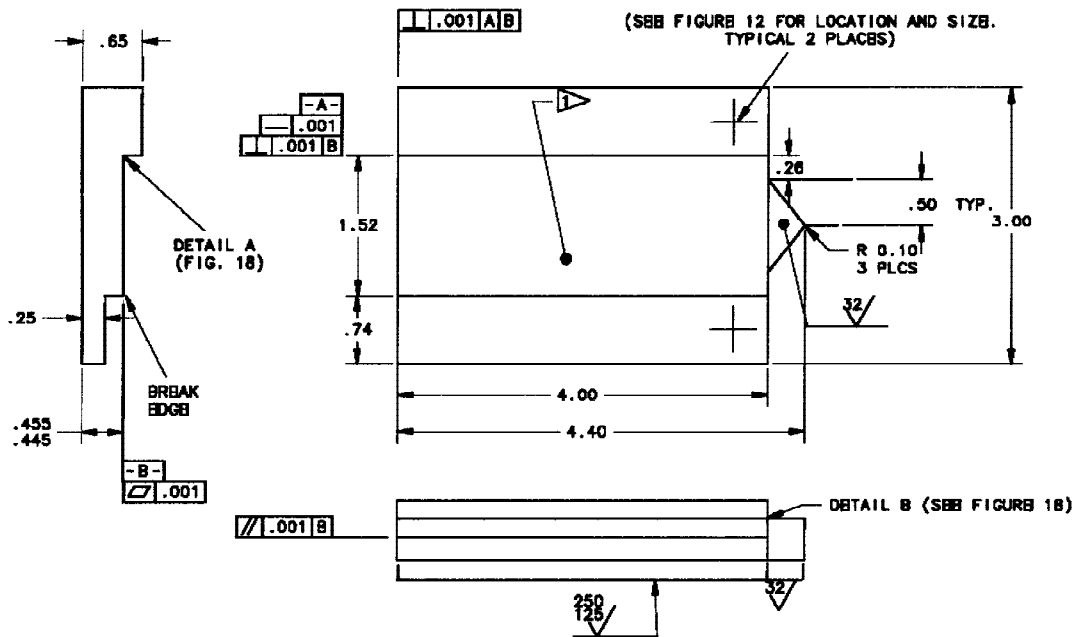
11.2.2 If specific gravity, density, reinforcement volume, or void volume are to be reported, then obtain these samples from the same panels being bearing tested. Specific gravity and density may be evaluated by means of Test Methods D 792. Volume percent of the constituents may be evaluated by one of the matrix digestion procedures of Test Method D 3171, or, for certain reinforcement materials such as glass and ceramics, by the matrix burn-off technique of Test Method D 2584. The void



NOTES:

- 1. Thermal spray surface using high velocity oxygen fueled (HVOF) process or electrospark deposition (ESD) process.
- 2. Tolerance except as noted is linear ± 0.3 mm.

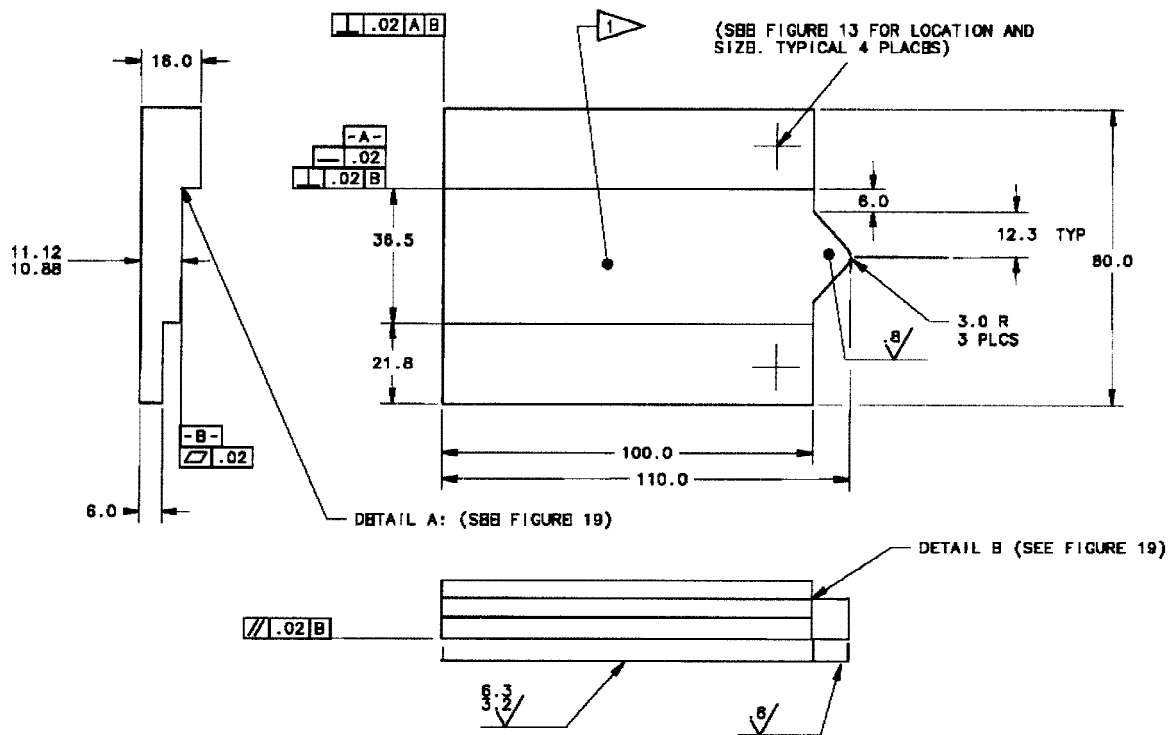
FIG. 15 Support Fixture-Long Grip Details (SI)



NOTES:

- 1. Thermal spray using either high velocity oxygen fueled (HVOF) process or electrospark deposition (ESD) process.
- 2. Tolerance except as noted is linear ± 0.03 in.

FIG. 16 Support Fixture-Short Grip Details (Inch-Pound)



NOTES:

1 Thermal spray surface using either high velocity oxygen fueled (HVOF) process or electrospark deposition (ESD) process.

2. Tolerance except as noted is linear ± 0.3 mm.

FIG. 17 Support Fixture-Short Grip Details (SI)

content equations of Test Method D 2734 are applicable to both Test Method D 2584 and the matrix digestion procedures.

11.2.3 Condition the specimens as required. Store the specimens in the conditioned environment until test time, if the test environment is different than the conditioning environment.

11.2.4 Following final specimen machining and any conditioning, but before bearing testing, measure the specimen width, w , and the specimen thickness, h , in the vicinity of the hole. Measure the hole diameter, D , distance from hole edge to closest specimen side, f , and distance from hole edge to specimen end, g . Measure the fastener or pin diameter, d , at the bearing contact location, the countersink depth, d_{csk} (if appropriate), and the countersink flushness, d_{fl} (if appropriate). The accuracy of all measurements shall be within 1% of the dimension, unless otherwise specified in this test method. Record the dimensions to three significant figures in units of millimetres [inches].

11.2.5 *Cleaning*—Clean the specimen hole, surrounding clamping area, and fastener or pin shank. If the fastener threads are required to be lubricated, apply the lubricant to the nut threads instead of the fastener threads and take extreme care not to accidentally transfer any of the lubricant to the fastener shank, the specimen hole, or to the clamping area during assembly and torquing. Record and report cleaning method and lubricant used, if any.

11.2.6 *Specimen Assembly*—Assemble the test specimen to mating attachment or to double-shear fixture, as appropriate for the procedure, with fastener or pin (and washers if utilized).

11.3 *Fastener Torquing*—If using a torqued fastener, tighten the fastener to the required value using a calibrated torque wrench. Record and report the actual torque value.

NOTE 9—Take care not to work the joint after torquing. Joint rotation after torquing and before and during insertion into the testing machine may relax the initial torque. Final torquing of the fastener may be necessary after the specimen is inserted into the test machine.

11.4 *Test Procedure:*

11.4.1 *Speed of Testing*—Set the speed of testing so as to produce failure within 1 to 10 min. If the ultimate bearing strain of the material cannot be reasonably estimated, initial trials should be conducted using standard speeds until the ultimate bearing strain of the material and the compliance of the system are known, and speed of testing can be adjusted. The suggested standard speeds are:

11.4.1.1 *Bearing Strain-Controlled Tests*—A standard bearing-strain rate of 0.01 min^{-1} .

11.4.1.2 *Constant Head-Speed Tests*—A standard head displacement rate of 2 mm/min [0.05 in./min].

11.4.2 *Test Environment*—If possible, test the specimen under the same fluid exposure level used for conditioning. However, cases such as elevated temperature testing of a moist

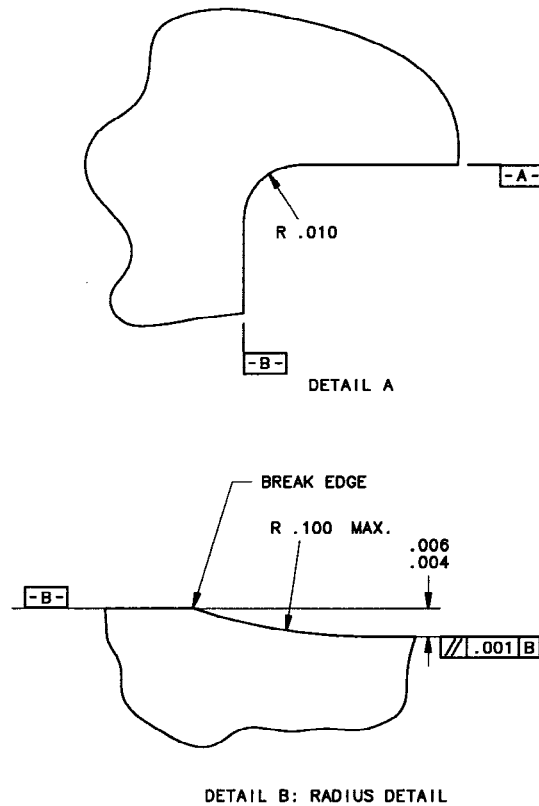


FIG. 18 Support Fixture-Details A and B (Inch-Pound)

specimen place unrealistic requirements on the capabilities of common testing machine environmental chambers. In such cases the mechanical test environment may need to be modified, for example, by testing at elevated temperature with no fluid exposure control, but with a specified limit on time to failure from withdrawal from the conditioning chamber. Record any modifications to the test environment.

11.4.3 *Specimen Installation:*

11.4.3.1 *Procedures A and B (No Support Fixture)*—Insert the specimen into the test machine, attaching loading interfaces or tightening grips as required.

11.4.3.2 *Procedure B (With Support Fixture)*—Install the test specimen into the support fixture such that the machined ends of the specimen are flush with the ends of the fixture halves. This should result in the specimen hole(s)/fastener(s) being centered in the fixture cutout. Tighten the four bolts just enough to hold the specimen in place during fixture installation.

11.4.4 *Fixture Insertion (Procedure B With Support Fixture):*

11.4.4.1 Place the fixture in the grips of the testing machine, taking care to align the long axis of the gripped fixture with the test direction. When inserting the fixture into the grip-jaws, grip the outer portion of the fixture up to the bolts, approximately 80 mm [3 in.].

11.4.4.2 Tighten the grips, recording the pressure used on the hydraulic grips. The ends of the grip-jaws on wedge-type grips should be even with each other following insertion to avoid inducing a bending moment which could result in premature failure of the specimen.

11.4.4.3 Check the gaps between the support plates and the long grip portion of the support fixture using a feeler gage, and shim as required in Fig. 11.

11.4.4.4 Check that the gap between the gage section of the specimen and the long grip portion of the support fixture is 0.05 ± 0.05 mm [0.002 ± 0.002 in.] using a feeler gage (see Fig. 24). A gap outside of this tolerance range is indicative of either improper assembly, an out-of-tolerance specimen, or damaged fixtures, or a combination thereof.

11.4.5 *Complete Bearing Strain Indicator Installation*—Attach the bearing strain indicator to the edges of the specimen as shown in Fig. 10 to provide the average displacement across the loaded hole(s) at the edge of the specimen. Attach the recording instrumentation to the indicator. Remove any remaining pre-load and zero the indicator. For Procedure B double-fastener specimens, one end of the indicator shall be on the edge of the specimen between the two fasteners and the other end on the edge of the mating specimen.

11.4.6 *Loading*—Apply the load to the specimen at the specified rate while recording data. The specimen is loaded until a load maximum is reached and load has dropped off about 30 % from the maximum. Unless specimen rupture is specifically desired, the test is terminated so as to prevent masking of the true failure mode by large-scale hole distortion, in order to provide a more representative failure mode assessment and to prevent support fixture damage (if used).

11.4.7 *Data Recording*—Record load versus bearing strain (or hole displacement) continuously, or at frequent regular intervals. If a transition region or initial ply failures are noted, record the load, bearing strain, and mode of damage at such

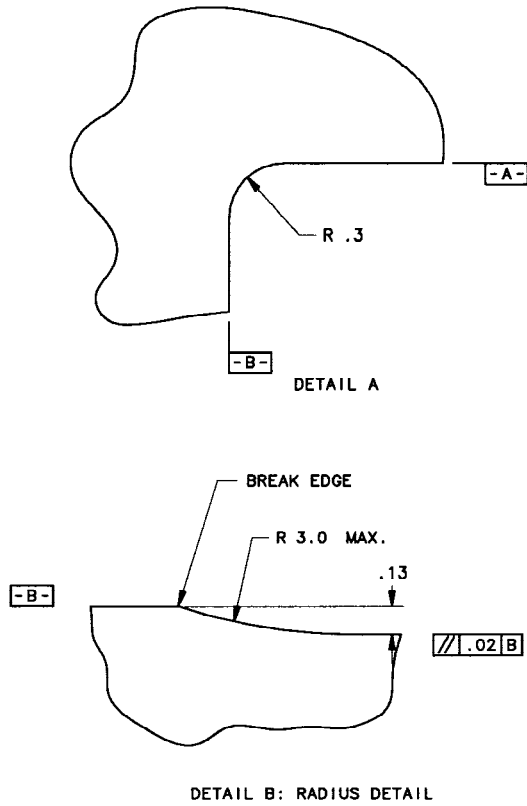


FIG. 19 Support Fixture-Details A and B (SI)

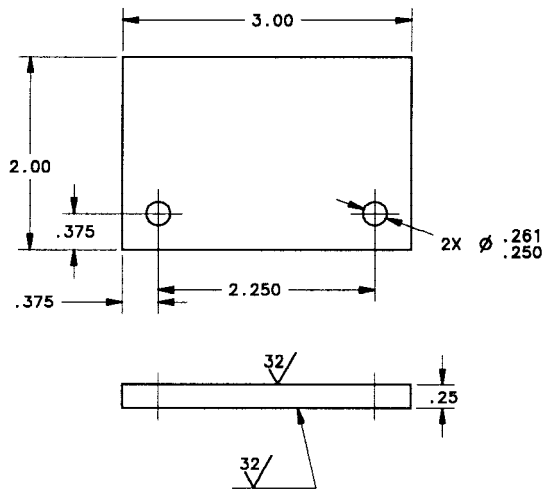


FIG. 20 Support Fixture-Support Plate Details (Inch-Pound)

points. If the specimen is to be failed, record the maximum load, the failure load, and the bearing strain (or hole displacement) at, or as near as possible to, the moment of rupture.

NOTE 10—Other valuable data that can be useful in understanding testing anomalies and gripping or specimen slipping problems includes load versus head displacement data and load versus time data.

NOTE 11—A difference in the bearing stress/bearing strain or load/bearing strain slope between bearing strain readings when instrumentation is mounted on the opposite edges of the specimen as shown in Fig. 10 indicates in-plane (edgewise) joint rotation in the specimen.

11.5 *Failure Mode*—Record the mode and location of failure of the specimen. Note that the intention of this test method is to determine the bearing response and that evaluation of specimens that produce bypass failure modes is beyond the scope of this test method. Bearing stress results shall not be reported for specimens exhibiting lateral (net tension) or cleavage failure modes. Choose, if possible, a standard description using the three-part failure mode code shown in Fig. 25. A multimode failure can be described by including each of the

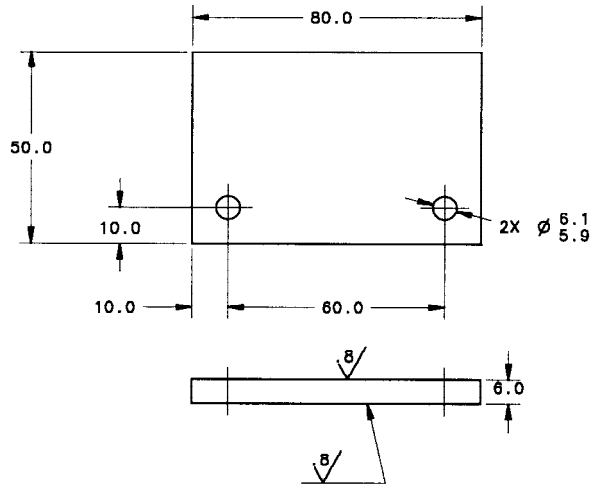


FIG. 21 Support Fixture-Support Plate Details (SI)

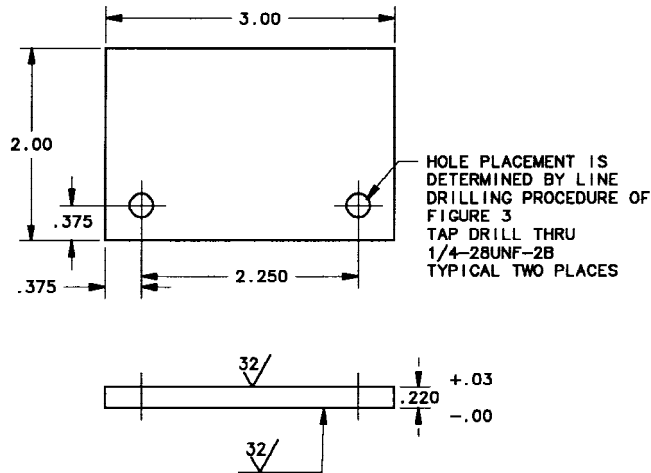


FIG. 22 Support Fixture-Optional Threaded Support Plate Details (Inch-Pound)

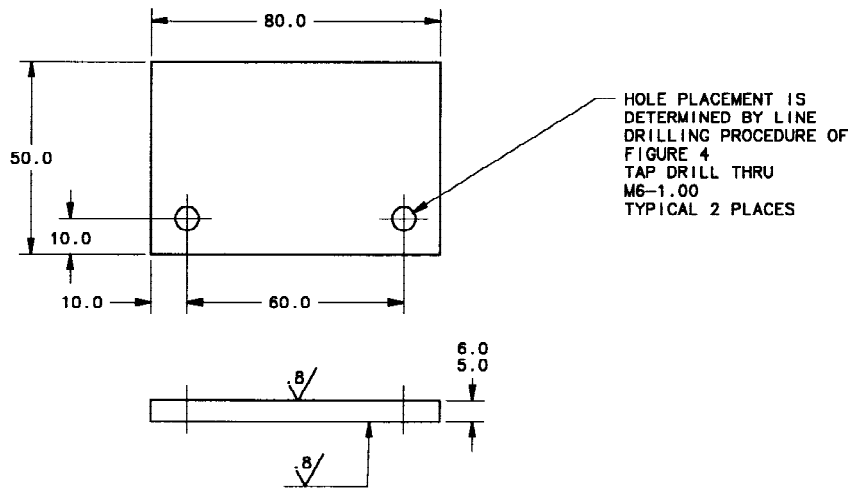


FIG. 23 Support Fixture-Optional Threaded Support Plate Details (SI)

appropriate failure-type codes between the parens of the M failure-type code. For example, a typical failure for a [45_i/0_j/-45_i/90_k] ms tape laminate having elements of both local bearing and cleavage might have a failure mode code of M(BC)1I.

NOTE 12—The final physical condition of the test specimen following testing depends upon whether or not the test method was stopped soon after reaching maximum load. If the test is not so stopped, the test machine will continue to deform the specimen and disguise the primary failure mode by producing secondary failures, making determination of the

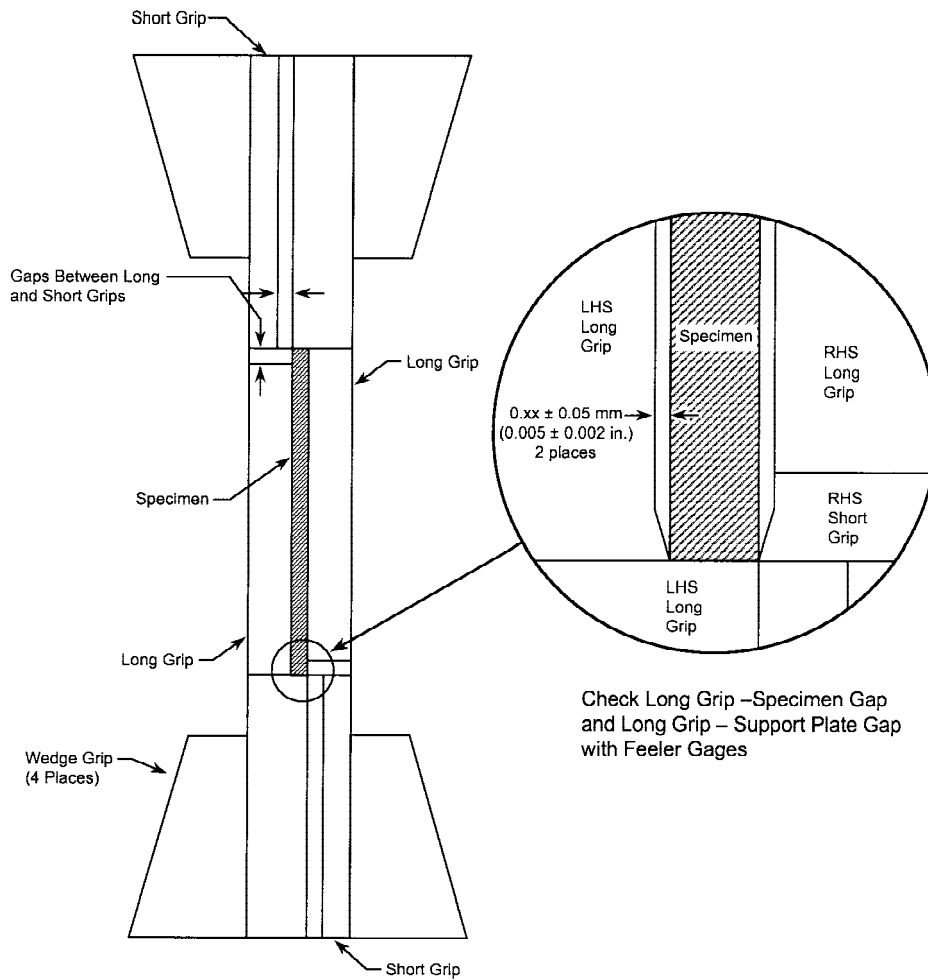


FIG. 24 Specimen/Support Fixture/Grip Assembly for Procedure B

primary failure mode difficult. In some cases it may be necessary to examine the bearing stress/bearing strain curve to determine the primary failure mode; in other cases the failure mode may not be determinable.

12. Validation

12.1 Values for ultimate properties shall not be calculated for any specimen that breaks at some obvious flaw, unless such flaw constitutes a variable being studied. Retests shall be performed for any specimen on which values are not calculated.

12.2 Any failure in a sample population occurring away from the fastener hole(s) shall be cause to reexamine the means of load introduction into the material. Factors considered should include the specimen alignment, fixture alignment (if appropriate), grip pressure, grip alignment, separation of fixture halves (if appropriate), specimen thickness taper, and uneven machining of specimen ends.

13. Calculation

NOTE 13—Presentation and calculation of results by this test method is based on normalizing total joint load and overall joint displacement to the response at a single hole. In the case of a double-shear test there is no adjustment necessary in either load or displacement. However, for a single-shear test (assuming like specimen halves, and whether for one fastener or two), the total joint displacement is approximately twice the

elongation of a given hole. For a double-fastener test, the hole load is one half the total load. This is the source of the k load factor and the K displacement factor used in the following equations.

13.1 *Width to Diameter Ratio*—Calculate the actual specimen width to diameter ratio using measured values with Eq 1, and report the result to three significant digits.

$$w/D \text{ ratio} = w/D \quad (1)$$

where:

w = width of specimen across hole, mm [in.], and
 D = hole diameter, mm [in.].

13.2 *Edge Distance Ratio*—Calculate the actual specimen edge distance ratio using measured values with Eq 2, and report the result to three significant digits.

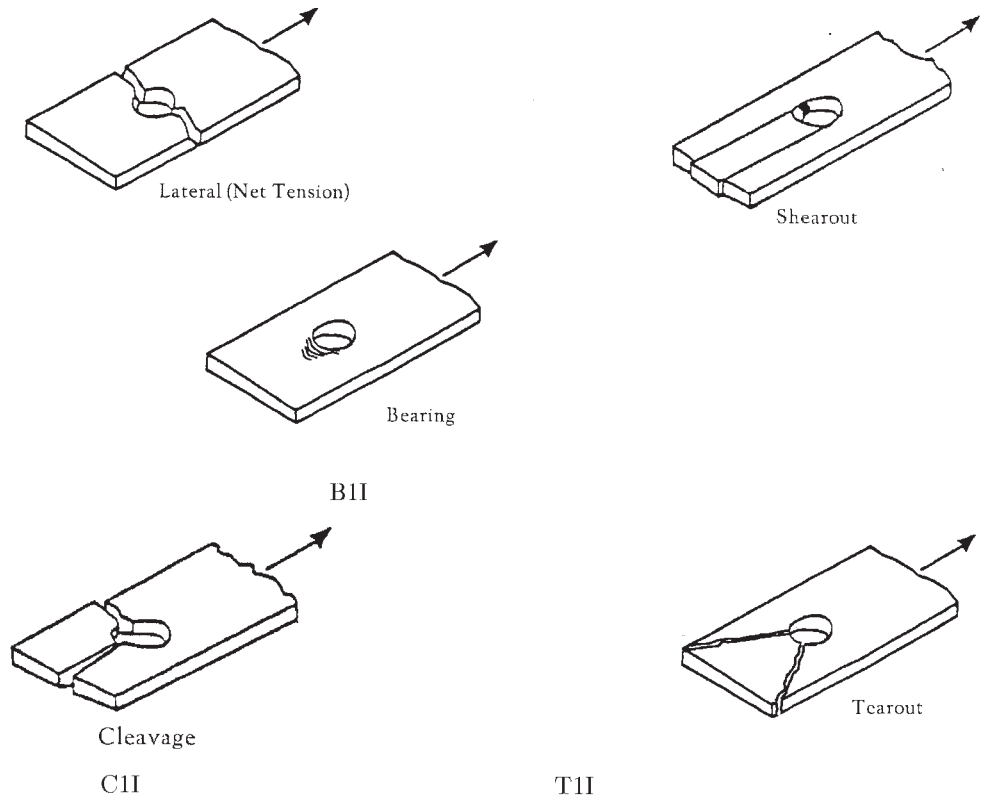
$$e/D = (g + D/2)/D \quad (2)$$

where:

e/D = actual edge distance ratio, and
 g = distance from hole edge to specimen end, mm [in.].

13.3 *Bearing Stress/Strength*—Determine the bearing stress at each required data point with Eq 3. Calculate the ultimate bearing strength using Eq 4. Report the results to three significant digits.

$$\sigma_i^{br} = P_f / (k \times D \times h) \quad (3)$$



First Part	
Failure Type	Code
Bearing	B
Cleavage	C
Fastener or pin	F
Lateral (net tension)	L
Multi-mode	M(xyz)
Shearout	S
Tearout	T
Other	O

Second Part	
Failure Area	Code
First Hole	1
Second Hole	2
Both Holes	B
Fastener or pin	F
Unknown	U

Third Part	
Failure Location	Code
Bolt Head Side	B
Nut Side	N
Inapplicable	I
Unknown	U

FIG. 25 Bearing Test Failure Codes With Illustrations of Common Modes

$$F^{bru} = P^{max}/(k \times D \times h) \quad (4)$$

where:

- F^{bru} = ultimate bearing strength, MPa [psi],
- P^{max} = maximum load prior to failure, N [lbf],
- σ_i^{br} = bearing stress at i -th data point, MPa [psi],
- P_i = load at i -th data point, N [lbf],
- h = specimen thickness, mm [in.], and
- k = load per hole factor: 1.0 for single-fastener or pin tests and 2.0 for double-fastener tests.

13.4 *Bearing Strain*—Determine the average bearing strain for each displacement value recorded using Eq 5 and report the results to three significant digits.

$$\epsilon_i^{br} = \frac{(\delta_{1i} + \delta_{2i})/2}{K \times D} \quad (5)$$

where:

- ϵ_i^{br} = bearing strain, microstrain,
- δ_{1i} = extensometer-1 displacement at i -th data point, mm [in.],
- δ_{2i} = extensometer-2 displacement at i -th data point, mm [in.], and
- K = 1.0 for double-shear tests, 2.0 for single-shear tests.

NOTE 14—The K factors for single-shear tests may not be appropriate if the mating specimen-half is significantly different in bearing stiffness.

13.5 *Bearing Chord Stiffness*—Calculate the chord stiffness between two specific bearing stress or bearing strain points in the essentially linear portion of the bearing stress/bearing strain curve. Report the result to three significant digits. Report

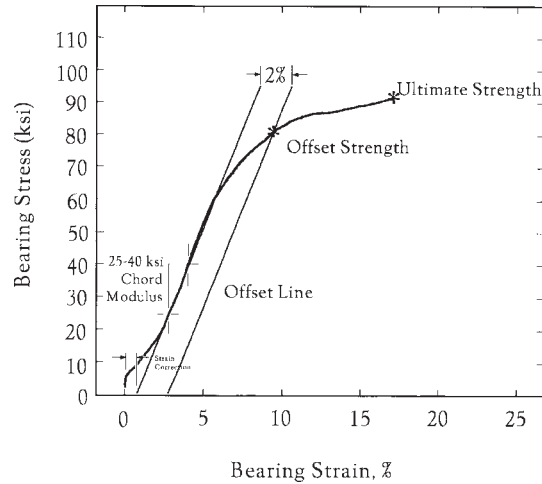


FIG. 26 Example of Bearing Stress/Bearing Strain Curve

whether bearing stress points or bearing strain points were used, as well as the value of the two end points.

$$E^{br} = \Delta\sigma^{br}/\Delta\epsilon^{br} \quad (6)$$

where:

- E^{br} = bearing chord stiffness, MPa [psi],
- $\Delta\sigma^{br}$ = change in bearing stress over chord stiffness range, MPa [psi], and
- $\Delta\epsilon^{br}$ = change in bearing strain over chord stiffness range, mm/mm [in./in.].

NOTE 15—The initial portion of the bearing stress/bearing strain curve will usually have substantial variations in the bearing stress/bearing strain response due to combinations of joint straightening, overcoming of joint friction, and joint translation due to hole tolerance. The chord stiffness points should be determined after this behavior has dissipated. Because of these variations it is often most practical to use bearing stress end points to determine the chord stiffness.

13.6 *Determination of Effective Origin*—Intersect the chord stiffness line with the bearing strain axis to define an effective origin for use in determining offset bearing strength and ultimate bearing strain.

13.7 *Ultimate Bearing Strain*—After correcting the bearing stress/bearing strain data for the new effective origin, record the bearing strain at maximum load, to three significant digits, as the ultimate bearing strain.

13.8 *Offset Bearing Strength*—After correcting the bearing stress/bearing strain data for the new effective origin, translate the chord stiffness line along the bearing strain axis from the origin by the specified offset amount of bearing strain. Determine the intersection of this line with the bearing stress/bearing strain curve. Assess if an offset bearing strength is appropriate for this specimen from the discussion on initial peak bearing strength in 13.9. If an offset bearing strength is appropriate, report, to three significant digits, the bearing stress value at this point as the offset bearing strength, F_x^{bro} (e %), where e is the value of the offset bearing strain expressed in percent. (See Note 5.)

13.9 *Initial Peak Bearing Strength*—Some bearing test configurations will show an initial peak bearing stress followed by a sharp drop in bearing stress and subsequent hole defor-

mation such that the offset bearing strength will be lower than the initial peak bearing stress. If after further hole deformation the specimen resumes loading to bearing stress levels higher than the initial peak, report the initial peak bearing stress as an initial peak bearing strength, in addition to the offset and ultimate bearing strengths. However, if the initial peak bearing stress is the ultimate bearing strength of the specimen, do not report either a initial peak bearing strength or an offset chord bearing strength.

13.10 *Diameter to Thickness Ratio*—Calculate the actual diameter to thickness ratio, as shown in Eq 7. Report both the nominal ratio calculated using the nominal values and the actual ratio calculated with measured dimensions.

$$D/h \text{ ratio} = \frac{D}{h} \quad (7)$$

where:

- D = diameter of hole, mm [in.] and
- h = specimen thickness near hole, mm [in.].

13.11 *Countersink Depth to Thickness Ratio*—If a countersunk (flush) fastener is installed in the hole(s), calculate the actual countersink depth to thickness ratio, as shown in Eq 8. Report both the nominal ratio calculated using nominal values and the actual ratio calculated with measured dimensions.

$$d_{csk}/h \text{ ratio} = \frac{d_{csk}}{h} \quad (8)$$

where:

- d_{csk} = fastener countersink depth, mm [in.] and
- h = specimen thickness near hole, mm [in.].

13.12 *Statistics*—For each series of tests, calculate the average value, standard deviation, and coefficient of variation (in percent) for each property determined:

$$\bar{x} = \frac{\sum_{i=1}^n x_i}{n} \quad (9)$$

$$s_{n-1} = \sqrt{\frac{\sum_{i=1}^n x_i^2 - n\bar{x}^2}{(n-1)}} \quad (10)$$

$$CV = 100 \times s_{n-1}/\bar{x} \quad (11)$$

where:

- \bar{x} = sample mean (average),
- s_{n-1} = sample standard deviation,
- CV = sample coefficient of variation, %,
- n = number of specimens, and
- x_i = measured or derived property.

14. Report

14.1 Report the following information, or references pointing to other documentation containing this information, to the maximum extent applicable (reporting of items beyond the control of a given testing laboratory, such as might occur with material details or panel fabrication parameters, shall be the responsibility of the requestor):

NOTE 16—Guides E 1309, E 1434, and E 1471 contain data reporting recommendations for composite materials and composite material mechanical tests. While these guides do not yet cover bearing response testing, they remain a valuable resource that should be consulted. A revision to the guides that adds the necessary additional fields is underway.

- 14.1.1 The test method and revision level or date of issue.
- 14.1.2 The procedure used and whether the specimen configuration was standard or variant.
- 14.1.3 The date(s) and location(s) of the test.
- 14.1.4 The name(s) of the test operator(s).
- 14.1.5 Any variations to this test method, anomalies noticed during testing, or equipment problems occurring during testing.
- 14.1.6 Identification of the material tested including: material specification, material type, material designation, manufacturer, manufacturer's lot or batch number, source (if not from manufacturer), date of certification, expiration of certification, filament diameter, tow or yarn filament count and twist, sizing, form or weave, fiber areal weight, matrix type, prepreg matrix content, and prepreg volatiles content.
- 14.1.7 Description of the fabrication steps used to prepare the laminate including: fabrication start date, fabrication end date, process specification, cure cycle, consolidation method, and a description of the equipment used.
- 14.1.8 Ply orientation stacking sequence of the laminate.
- 14.1.9 If requested, report density, volume percent reinforcement, and void content test methods, specimen sampling method and geometries, test parameters, and test results.
- 14.1.10 Average ply thickness of the material.
- 14.1.11 Results of any nondestructive evaluation tests.
- 14.1.12 Method of preparing the test specimen, including specimen labeling scheme and method, specimen geometry, sampling method, specimen cutting method, identification of tab geometry, tab material, and tab adhesive used.
- 14.1.13 Fastener or pin type and material, location of fastener head (bag side or tool side, if appropriate), washer type and material (if appropriate), number of washers (if appropriate), washer location (if appropriate), fastener or pin diameter, fastener installation torque (if appropriate), lubricant (if appropriate), hole clearance, countersink angle and depth (if appropriate), grommet, mating material, and number of fasteners.
- 14.1.14 Fastener or pin and specimen cleaning method.
- 14.1.15 Calibration dates and methods for all measurement and test equipment.

14.1.16 Type of test machine, grips, jaws, grip pressure, alignment results, and data acquisition sampling rate and equipment type.

14.1.17 Dimensions of each test specimen.

14.1.18 Actual and nominal values of specimen hole diameter, specimen edge distance ratio, specimen width to diameter ratio, specimen hole diameter to thickness ratio and, specimen countersink depth to thickness ratio (if appropriate).

14.1.19 Support fixture configuration (if used), gaps between support plates and long grips, and between long grips and the test specimen gage section, as measured by feeler gages.

14.1.20 Conditioning parameters and results, use of travelers and traveler geometry, and the procedure used if other than that specified in the test method.

14.1.21 Relative humidity and temperature of the testing laboratory.

14.1.22 Environment of the test machine environmental chamber (if used) and soak time at environment.

14.1.23 Number of specimens tested.

14.1.24 Speed of testing.

14.1.25 Bearing strain indicator placement on the specimen, and transducer type for each transducer used.

14.1.26 Bearing stress/bearing strain curves and tabulated data of bearing stress versus bearing strain for each specimen.

14.1.27 Individual ultimate bearing strengths and average value, standard deviation, and coefficient of variation (in percent) for the population. Note if the failure load was less than the maximum load prior to failure.

14.1.28 Individual bearing strains at failure and the average value, standard deviation, and coefficient of variation (in percent) for the population.

14.1.29 Bearing stress or bearing strain range used for bearing chord stiffness determination.

14.1.30 If another definition of bearing stiffness is used in addition to chord stiffness, describe the method used, the resulting correlation coefficient (if applicable), and the bearing stress or bearing strain range used for the evaluation.

14.1.31 Individual values of bearing stiffness and the average value, standard deviation, and coefficient of variation (in percent) for the population.

14.1.32 If offset bearing strength is determined, the method of linear fit (if used), the bearing stress or bearing strain ranges over which the linear fit or chord lines were determined, and the offset bearing strain value.

14.1.33 Individual values of offset bearing strength (if applicable), and the average value, standard deviation, and coefficient of variation (in percent) for the population.

14.1.34 If initial peak bearing strength is determined, the individual values of initial peak bearing strength and the average value, standard deviation, and coefficient of variation (in percent) for the population.

14.1.35 Load/displacement curves and tabulated data of load versus displacement for each specimen.

14.1.36 Individual values of ultimate load.

14.1.37 Individual values of failure load.

14.1.38 Failure mode and location of failure for each specimen.



15. Precision and Bias

15.1 *Precision*—The data required for the development of a precision statement is not available for this test method.

15.2 *Bias*—Bias cannot be determined for this test method as no acceptable reference standard exists.

16. Keywords

16.1 bearing properties; bearing strength; composite materials

ASTM International takes no position respecting the validity of any patent rights asserted in connection with any item mentioned in this standard. Users of this standard are expressly advised that determination of the validity of any such patent rights, and the risk of infringement of such rights, are entirely their own responsibility.

This standard is subject to revision at any time by the responsible technical committee and must be reviewed every five years and if not revised, either reapproved or withdrawn. Your comments are invited either for revision of this standard or for additional standards and should be addressed to ASTM International Headquarters. Your comments will receive careful consideration at a meeting of the responsible technical committee, which you may attend. If you feel that your comments have not received a fair hearing you should make your views known to the ASTM Committee on Standards, at the address shown below.

This standard is copyrighted by ASTM International, 100 Barr Harbor Drive, PO Box C700, West Conshohocken, PA 19428-2959, United States. Individual reprints (single or multiple copies) of this standard may be obtained by contacting ASTM at the above address or at 610-832-9585 (phone), 610-832-9555 (fax), or service@astm.org (e-mail); or through the ASTM website (www.astm.org).