



# Standard Specification for Paintball Cylinder Burst Disk Assemblies<sup>1</sup>

This standard is issued under the fixed designation F 2030; the number immediately following the designation indicates the year of original adoption or, in the case of revision, the year of last revision. A number in parentheses indicates the year of last reapproval. A superscript epsilon ( $\epsilon$ ) indicates an editorial change since the last revision or reapproval.

## 1. Scope

1.1 This specification covers burst disk assemblies for paintball marker propellant sources their application and installation requirements.

1.2 The values stated in SI units are to be regarded as standard. The values given in parentheses are for information only.

1.3 *This standard does not purport to address all of the safety concerns, if any, associated with its use. It is the responsibility of the user of this standard to establish appropriate safety and health practices and determine the applicability of regulatory limitations prior to use.*

## 2. Referenced Documents

2.1 *Code of Federal Regulations:*<sup>2</sup>

DOT 49 CFR 1734d

2.2 *CGA Standard:*<sup>3</sup>

CGA S-1-1

## 3. Materials and Manufacture

3.1 The materials and processes used to manufacture the burst disk assembly shall result in items with mechanical strength sufficient to pass the applicable burst pressure tests. Materials used shall be corrosion resistant, chemically compatible with the propellant used and shall not promote galvanic action. Rupture disks shall be manufactured and tested in accordance with DOT 49 CFR 1734d and CGA S-1-1.

3.2 The burst disk assembly and related port features shall be free of burrs and sharp edges.

## 4. Performance

4.1 Burst disk assemblies intended for use with a service pressure of 12 410 kPa (1800 psi) shall rupture at not less than

18 615 kPa (2700 psi) and no more than 20 684 kPa (3000 psi) at a temperature of 71.1°C (160°F). At a temperature of 15.6°C (60°F) the same burst disk shall rupture at not less than 19 822 kPa (2875 psi) and no more than 21 890 kPa (3175 psi).

4.2 The relief hole in the burst disk assembly shall provide for flow to adequately vent the cylinder as specified in CGA S-1-1.

4.3 The rupture disk and seal shall be permanently retained on the plug to provide proper alignment and assembly.

## 5. Marking

5.1 The burst disk assembly shall be marked with its nominal burst pressure. The locations suitable for this marking are shown in Fig. 1. Markings shall appear in the U.S. Customary System of Units. A nominal burst pressure of 20 684 kPa (3000 psi) may appear as 3K or 3000.

5.2 The burst disk shall be marked with manufacturer code and rated burst pressure.

## 6. Physical Envelope, Burst Disk Assembly

6.1 The burst disk assembly shall conform to the physical envelope described in Fig. 1.

## 7. Physical Envelope, Burst Disk Port

7.1 The burst disk port shall conform to the physical envelope described in Fig. 2.

## 8. Installation

8.1 Prior to installation the mating port and the burst disk assembly shall be inspected to confirm compliance with physical envelope requirements, cleanliness, and general suitability for use.

8.2 It is recommended that the manufacturer supply installation instructions for their burst disk assemblies.

8.3 Unless instructed to do otherwise by the manufacturer, install the burst disk assembly into its mating port by threading to a torque of 10 500  $\pm$  875 Nm (60  $\pm$  5 in. · lb).

## 9. Keywords

9.1 burst disk; paintball marker; propellant

<sup>1</sup> This specification is under the jurisdiction of ASTM Committee F08 on Sports Equipment and Facilities and is the direct responsibility of Subcommittee F08.24 on Paintball and Equipment.

Current edition approved June 10, 2000. Published August 2000.

<sup>2</sup> *Code of Federal Regulations*, available from U.S. Government Printing Office, Washington, DC 20402.

<sup>3</sup> Available from Compressed Gas Assoc., Inc., 1725 Jefferson Davis Highway, Suite 1004, Arlington, VA 22202-4102.

(TWO OPTIONAL CONFIGURATIONS)

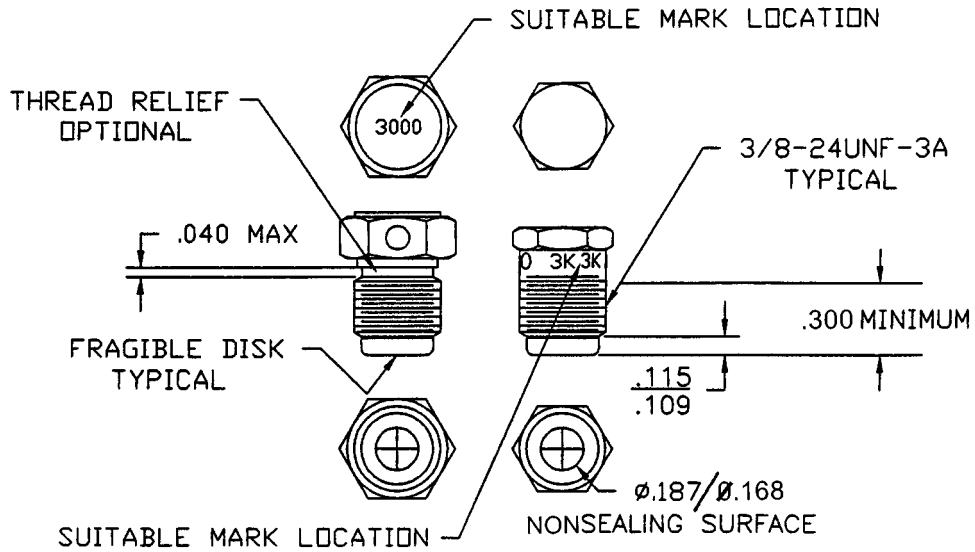


FIG. 1 Burst Disk Assembly

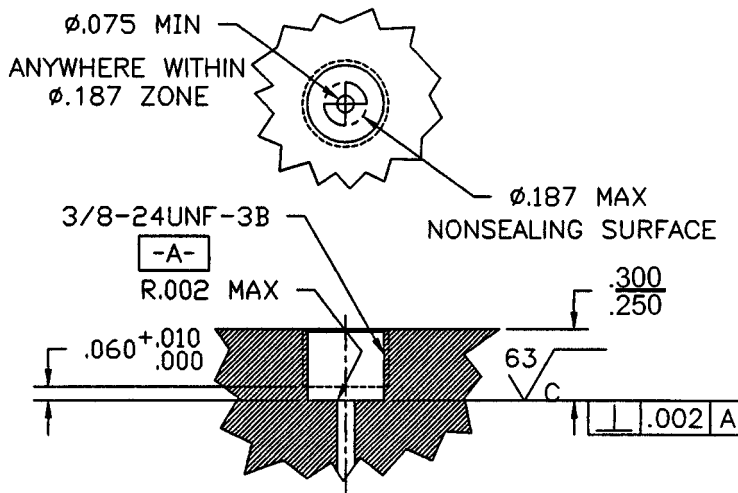


FIG. 2 Burst Disk Port

ASTM International takes no position respecting the validity of any patent rights asserted in connection with any item mentioned in this standard. Users of this standard are expressly advised that determination of the validity of any such patent rights, and the risk of infringement of such rights, are entirely their own responsibility.

This standard is subject to revision at any time by the responsible technical committee and must be reviewed every five years and if not revised, either reapproved or withdrawn. Your comments are invited either for revision of this standard or for additional standards and should be addressed to ASTM International Headquarters. Your comments will receive careful consideration at a meeting of the responsible technical committee, which you may attend. If you feel that your comments have not received a fair hearing you should make your views known to the ASTM Committee on Standards, at the address shown below.

This standard is copyrighted by ASTM International, 100 Barr Harbor Drive, PO Box C700, West Conshohocken, PA 19428-2959, United States. Individual reprints (single or multiple copies) of this standard may be obtained by contacting ASTM at the above address or at 610-832-9585 (phone), 610-832-9555 (fax), or service@astm.org (e-mail); or through the ASTM website (www.astm.org).